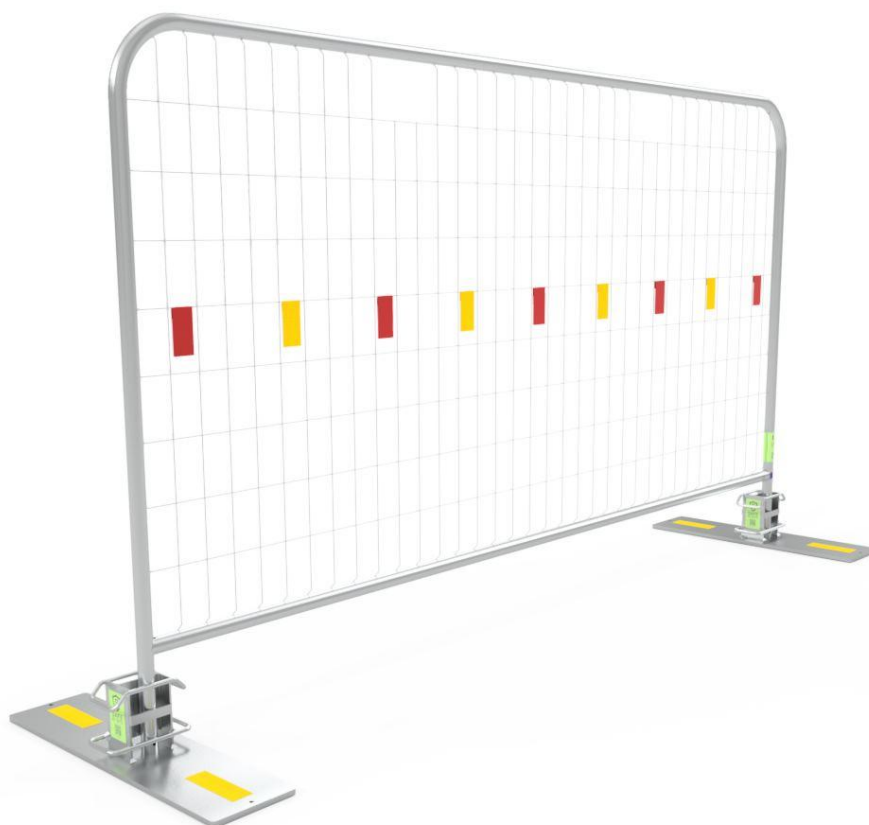


# ProGuard<sup>®</sup>

## PC Barrier

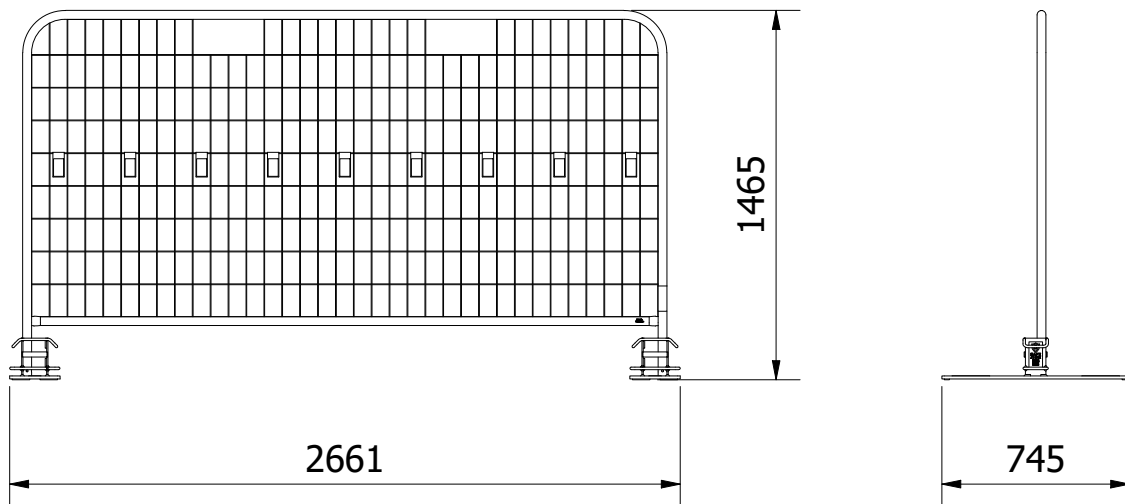
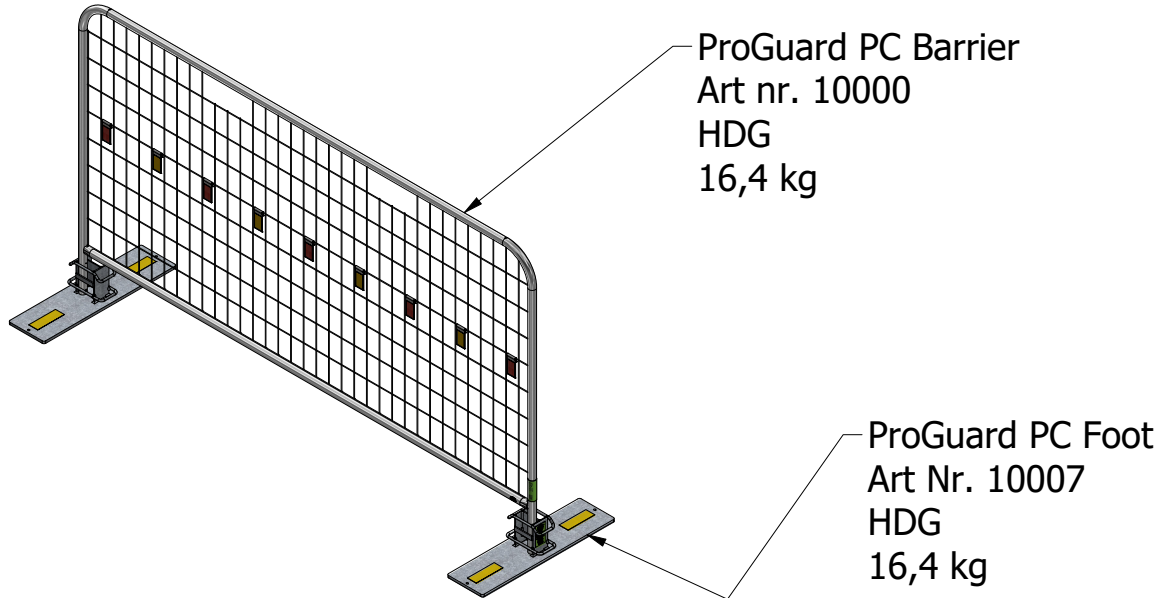
[www.safeatsite.com](http://www.safeatsite.com)



# SAFE AT SITE

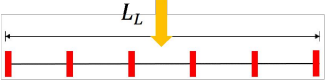
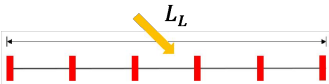
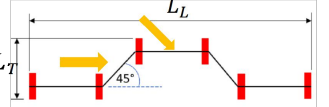
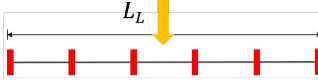
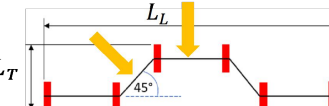
1/10

# ProGuard PC Barrier



# Tested according to SS 7750-1

ProGuard PC Barrier is tested according to SS 7750-1. Approved configurations, range of motion and installation requirements are listed in the table below

Test results						
Class	Configuration	Length longitudinal	Length transverse	Sl	St	Installation req.
1		MIN 13 m (5 sections)	-	0,4 m	-	PC Clamp
2		MIN 13 m (5 sections)	-	0,6 m	-	PC Clamp
2		MIN 11,3 m (5 sections)	MIN 2,5 m	0,6 m	0,6 m	PC Clamp
3		MIN 13 m (5 sections)	-	1,2 m	-	PC Clamp
		MIN 23 m (9 sections)	-	0,9 m	-	PC Clamp
		MIN 7,7 m (3 sections)	-	0,0 m	-	PC Clamp and concrete screw 8x90 mm
3		MIN 11,3 m (5 sections)	MIN 2,5 m	1,2 m	0,7 m	PC Clamp

Sl = Range of motion longitudinal

St = Range of motion transverse

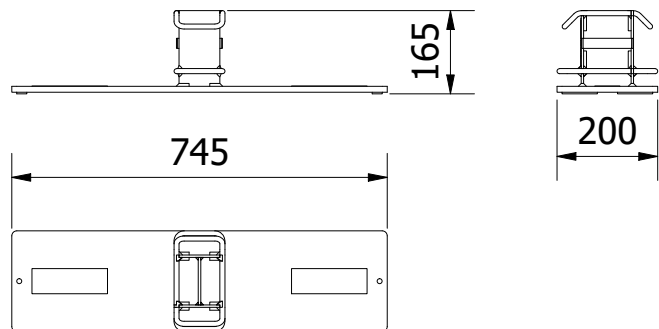
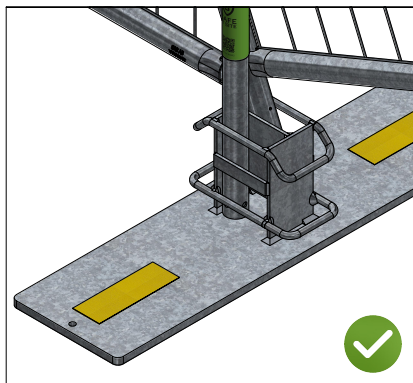
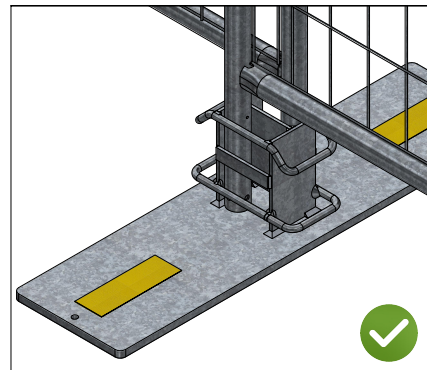
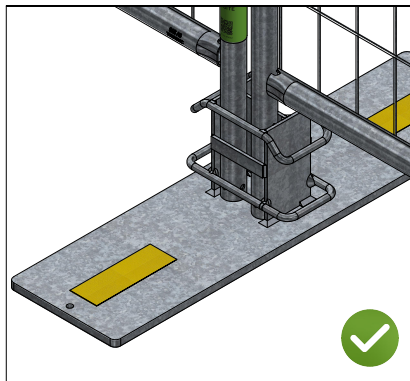
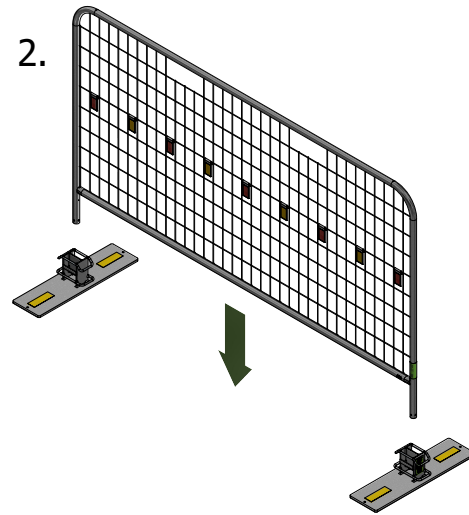
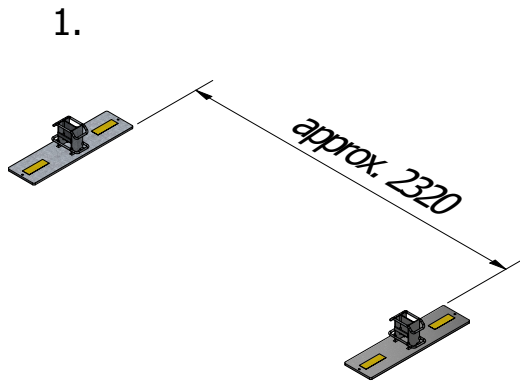
## Installation requirements explained

**PC Clamp:** A PC Clamp (art nr. 10015) is installed between every section.

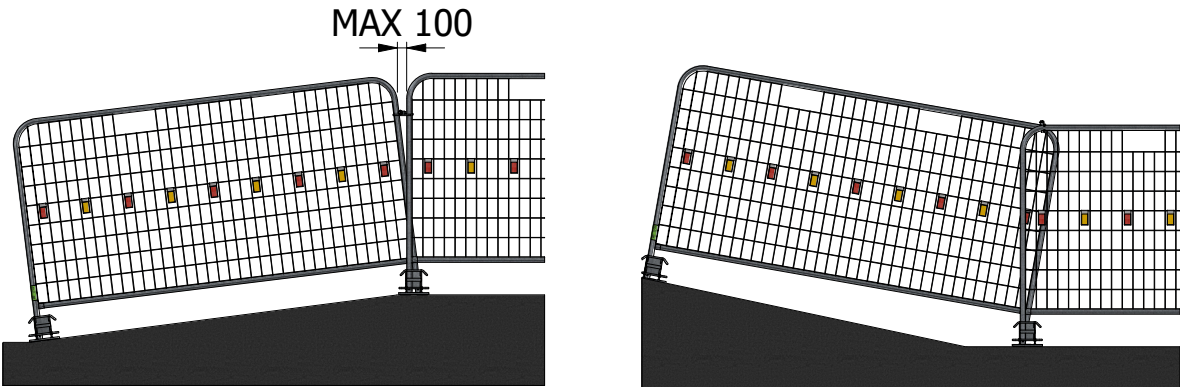
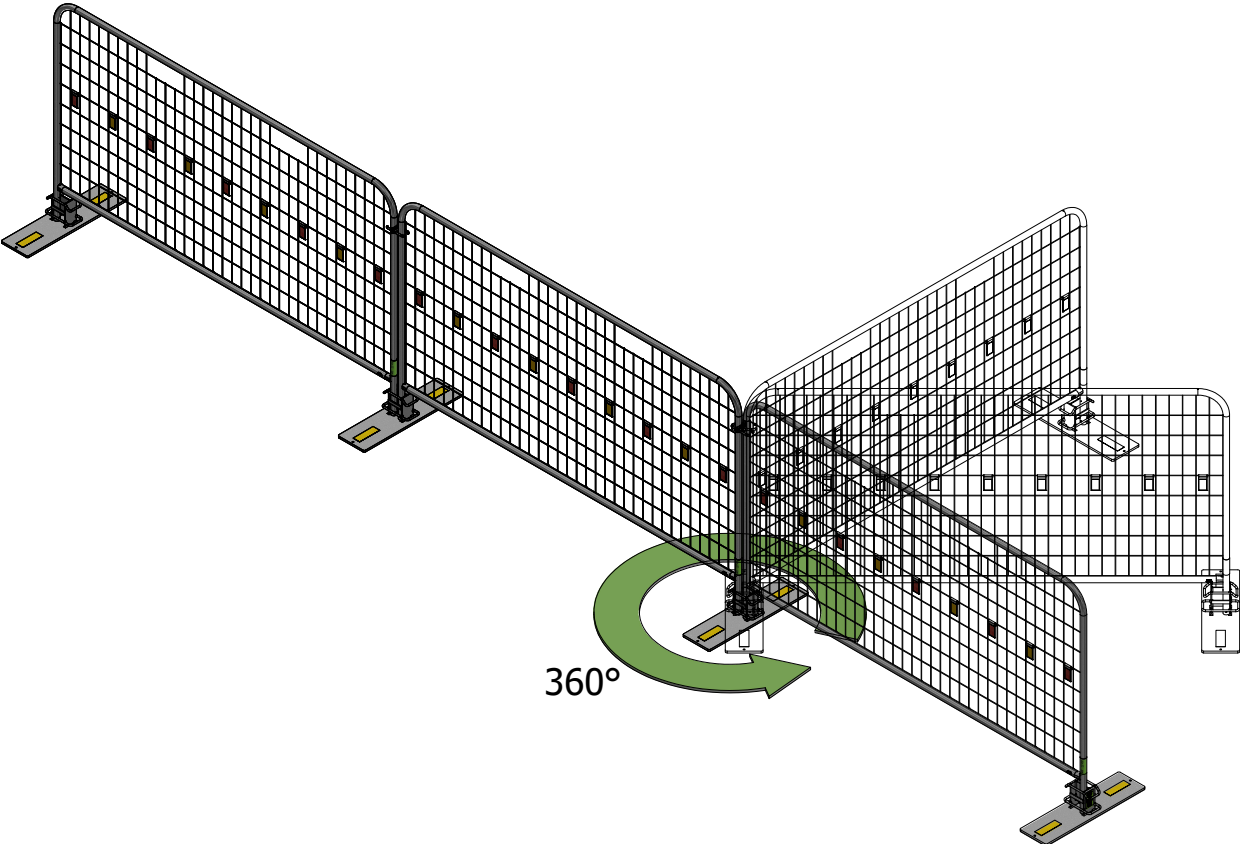
**Concrete screw:** A concrete screw measuring 8x90 mm is installed on each PC Foot. The screw is mounted on the traffic side of the configuration.



# Installation

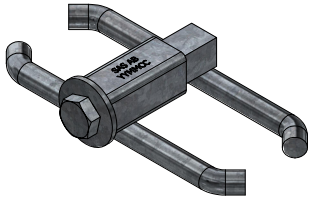


# Configurations



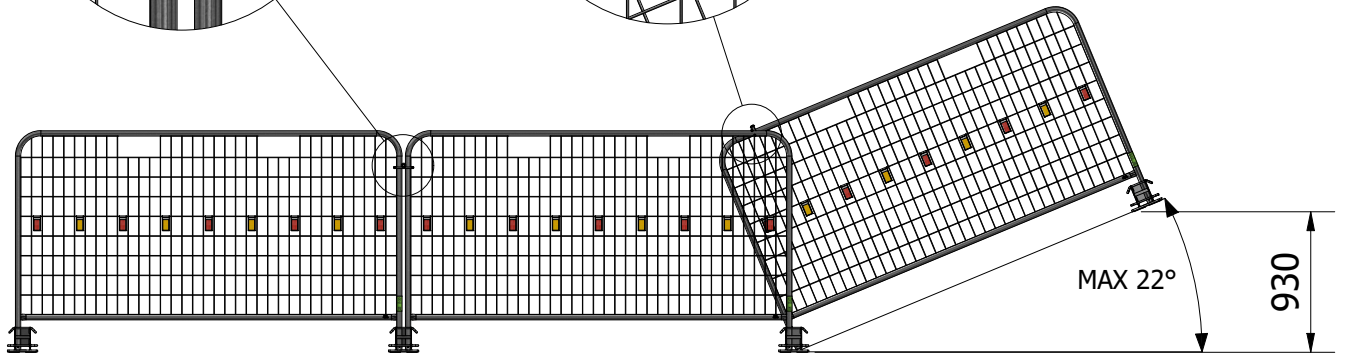
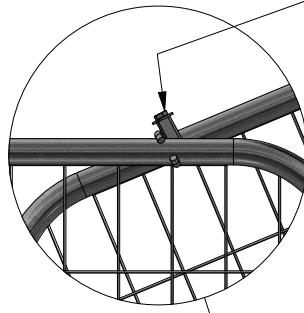
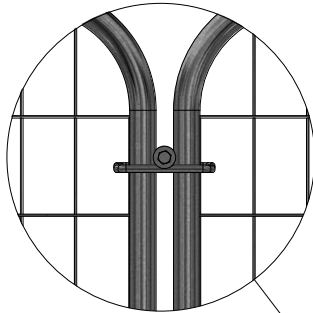
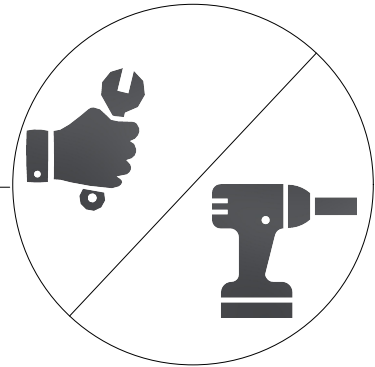
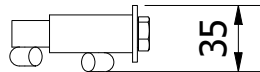
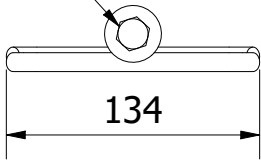
# Mount clamp / strap

Alt. 1



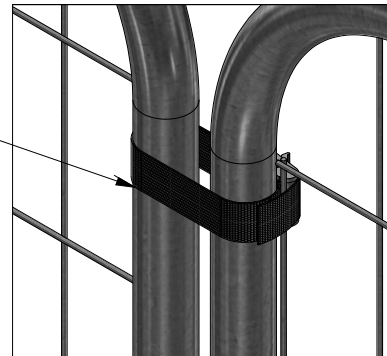
PC Clamp  
Art. nr. 10015  
HDG  
Mass: 0,3 kg

WAF 16

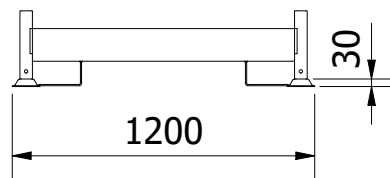
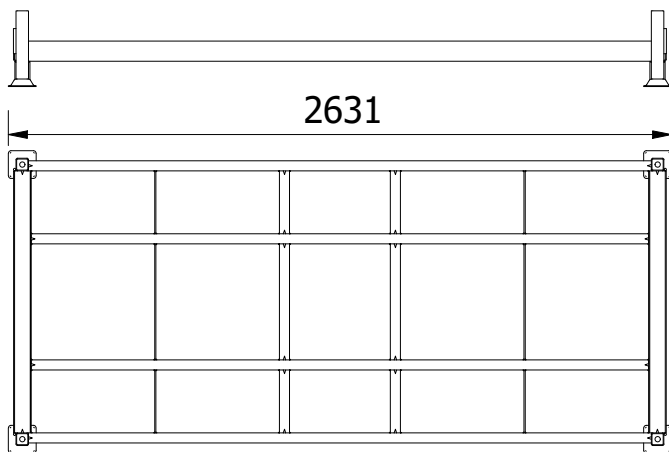
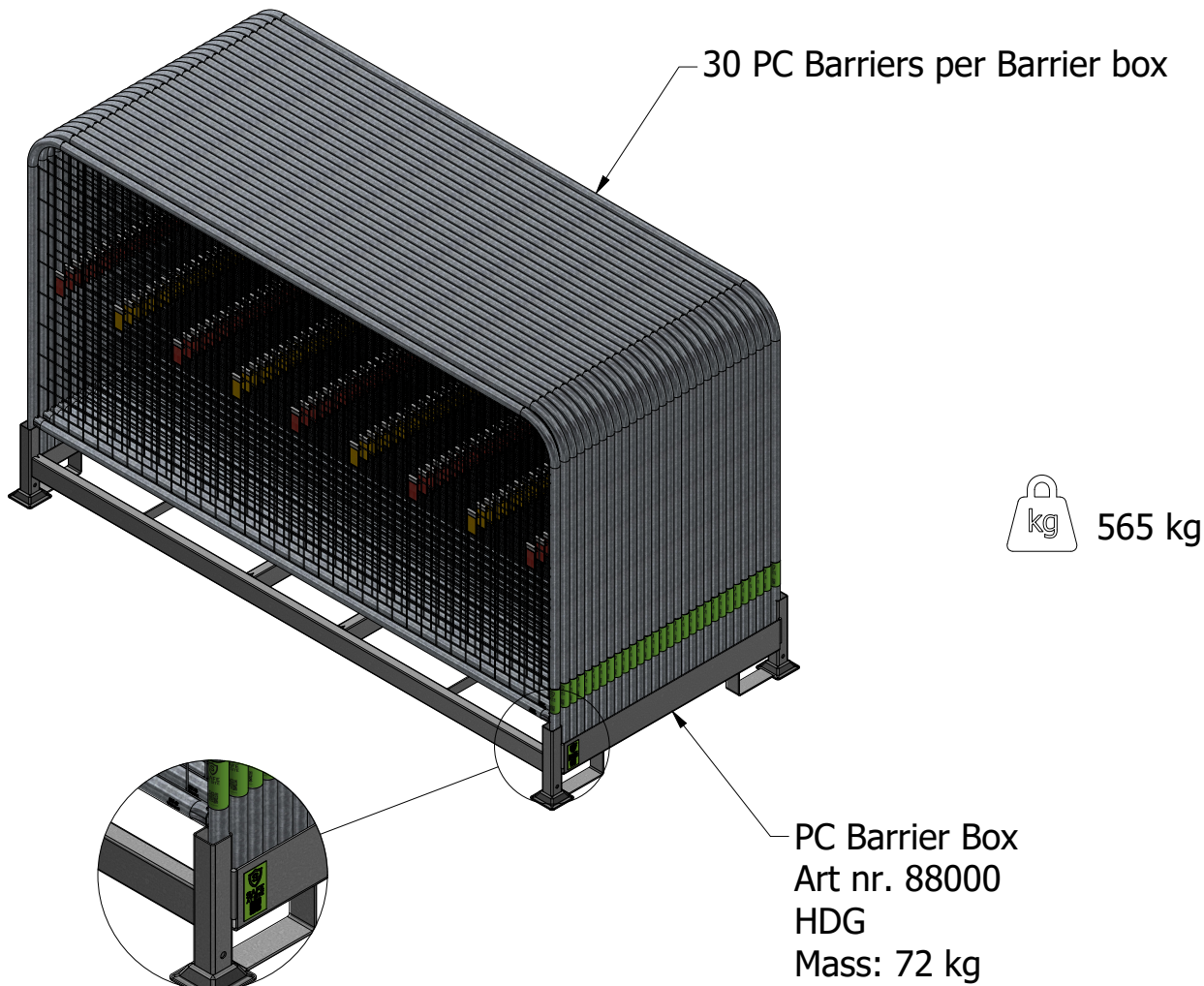


Alt. 2

PRODUCT	ART. NR.	MASS	MATERIAL
Safe At Site Strap 300mm	95004	0,1 kg	PP

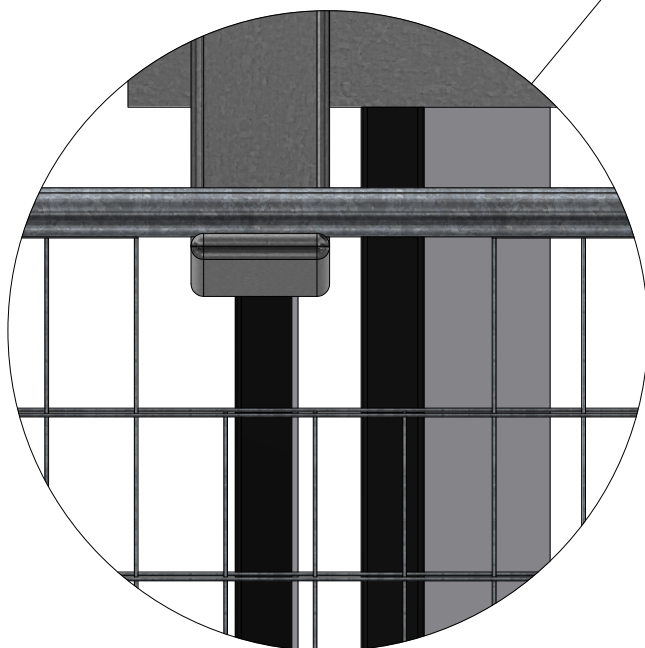
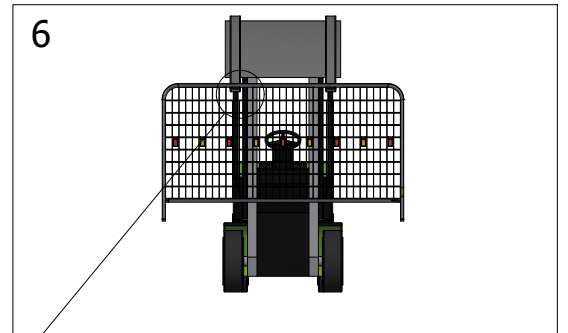
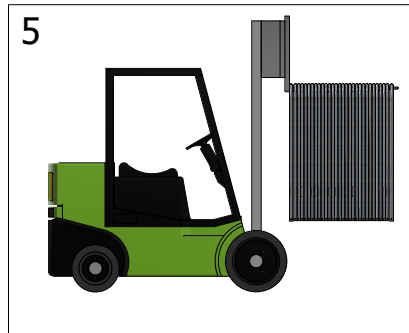
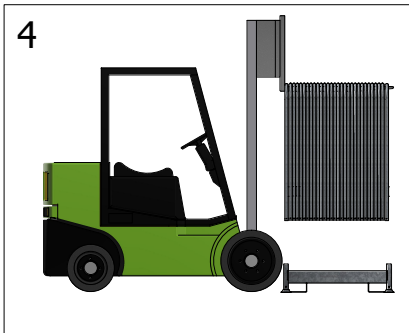
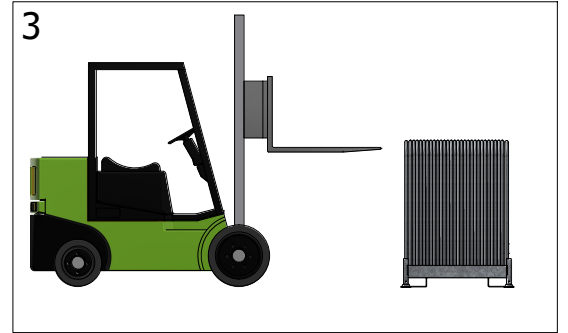
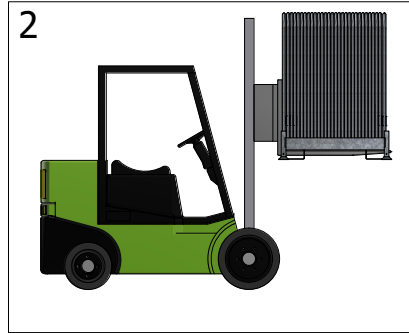
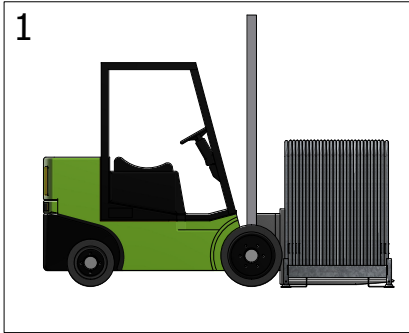


# Stacking - PC Barrier

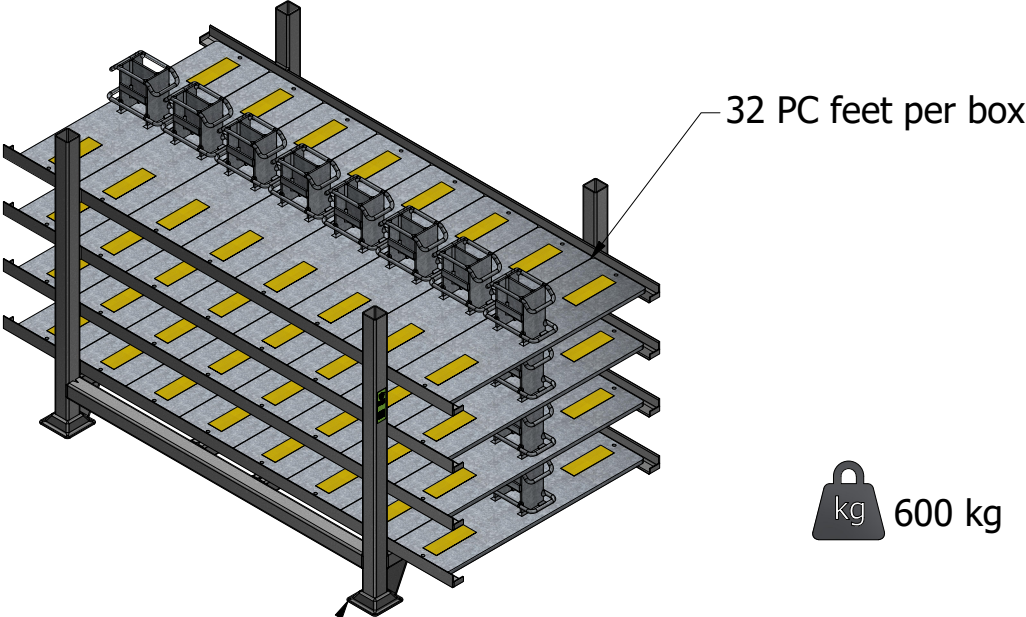


7/10

# Handling

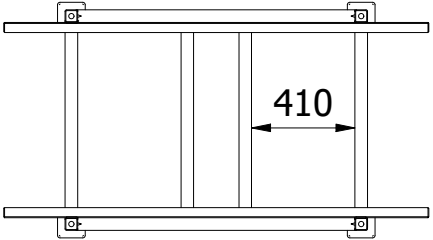
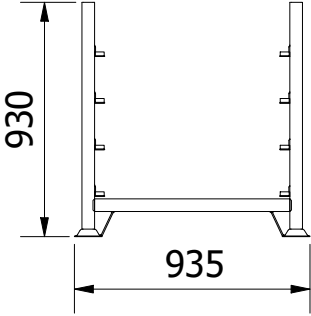
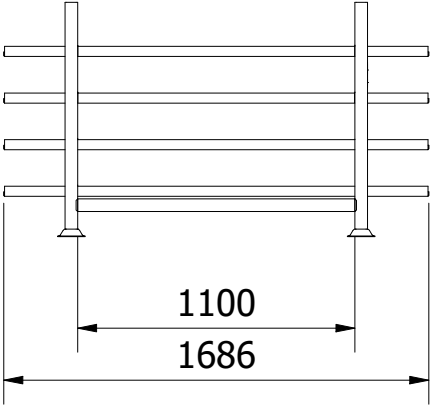


# Stacking - PC Foot

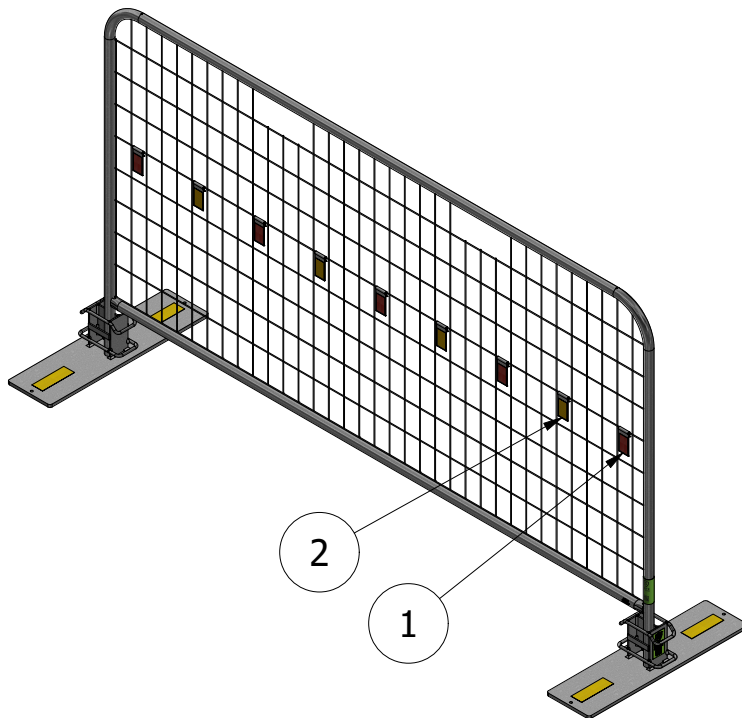


 600 kg

PC Foot Box  
Art nr. 88012  
HDG  
Mass: 73 kg



# Spare parts



NR.	PRODUKT	ART. NR.	MATERIAL
1	ProGuard Reflector Clip Red	10234	
2	ProGuard Reflector Clip Yellow	10235	