

# ProGuard<sup>®</sup> NRP - *Noise Reduction Panel*

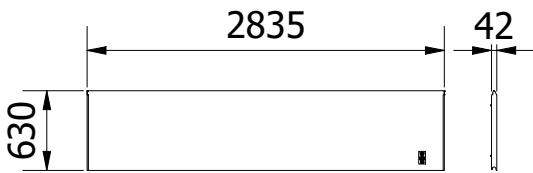
[www.safeatsite.com](http://www.safeatsite.com)

NRP



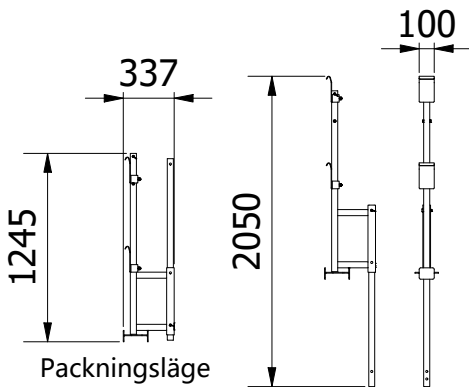
# SAFE AT SITE

# ProGuard NRP



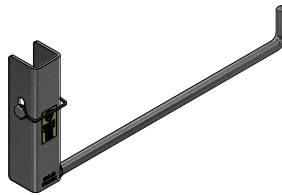
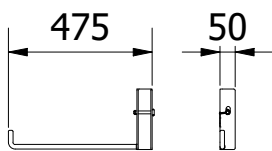
NRP Panel  
Art. nr 10310

 10 kg



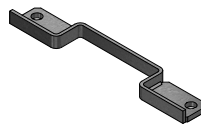
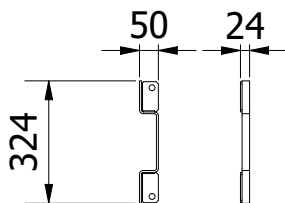
NRP Post  
Art. nr 10240

 11 kg




NRP Foot  
Art. nr 10265

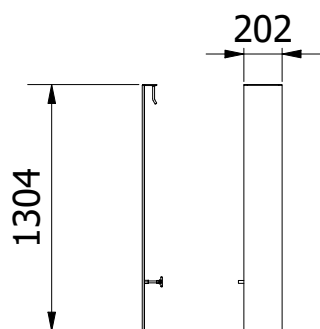
 1,5 kg



NRP Post Fastener  
Art. nr 10295

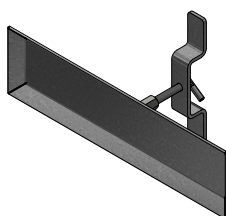
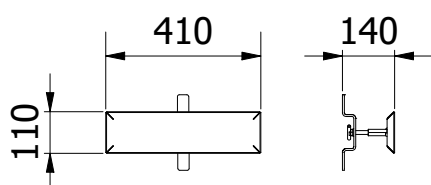
 0,75 kg

# ProGuard NRP



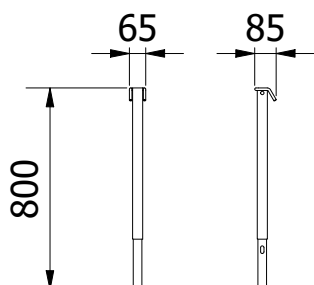
NRP Gap Cover  
Art. nr 10300

 5,2 kg



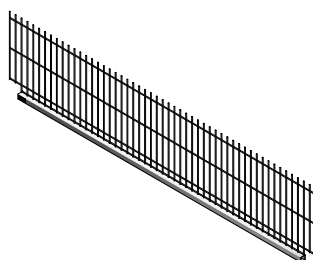
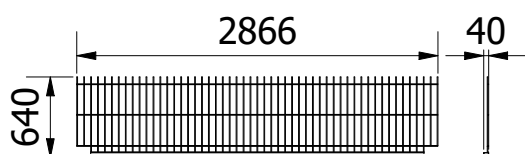
Fork Lift Cover  
Art. nr 10280

 1,7 kg



NRP Top Up Post  
Art. nr 10260

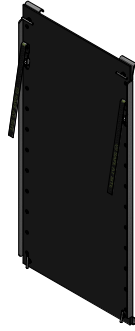
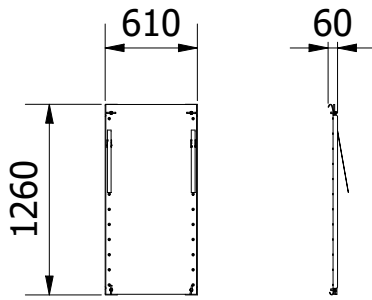
 2,0 kg



NRP Top Up  
Art. nr 10275

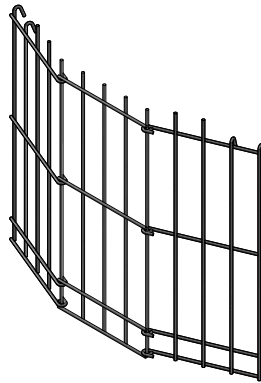
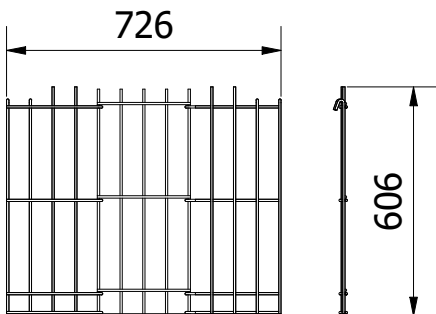
 14,3 kg

# ProGuard NRP



NRP Corner  
Art. nr 10285

 12 kg

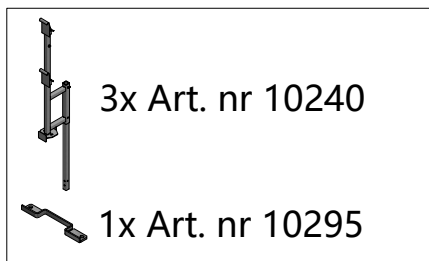


NRP Top Up Corner  
Art. nr 10270

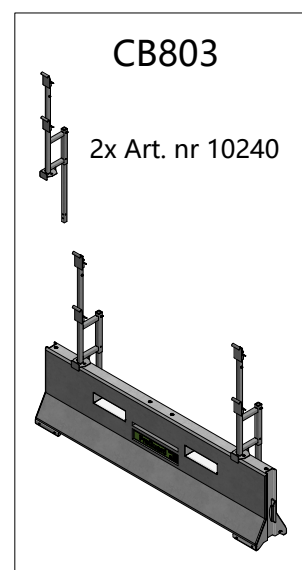
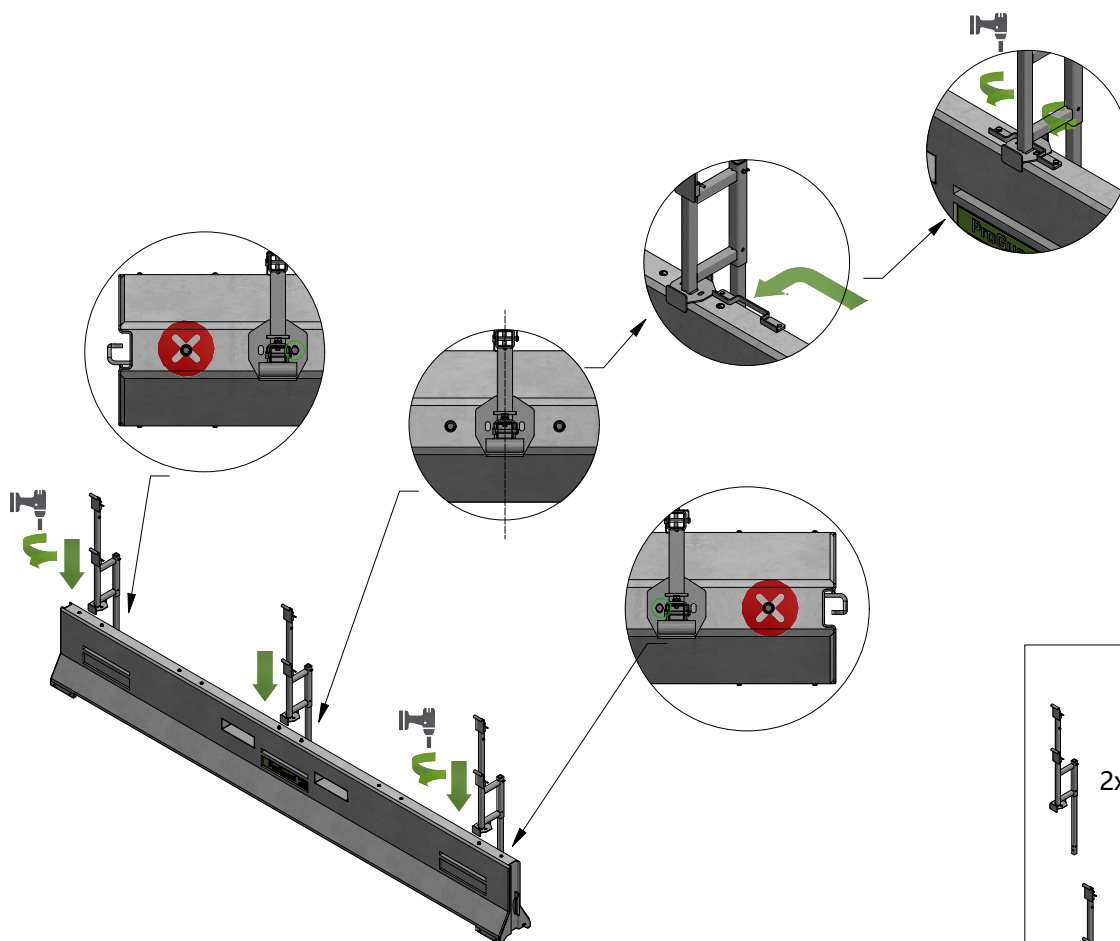
 4 kg

# Installation - Post

1.

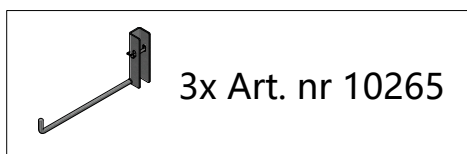


- Place NRP Post (10240) on the following positions and tighten the screws.
- Use NRP Post Fastener (10295) for the middle Post when installing NRP on CB 806.

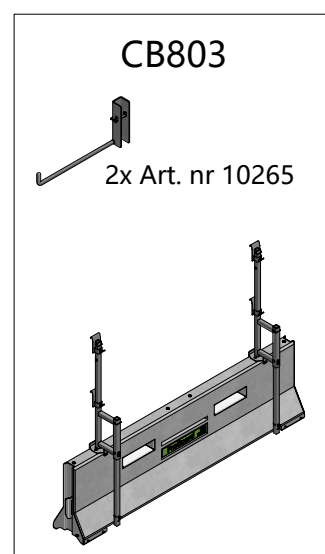
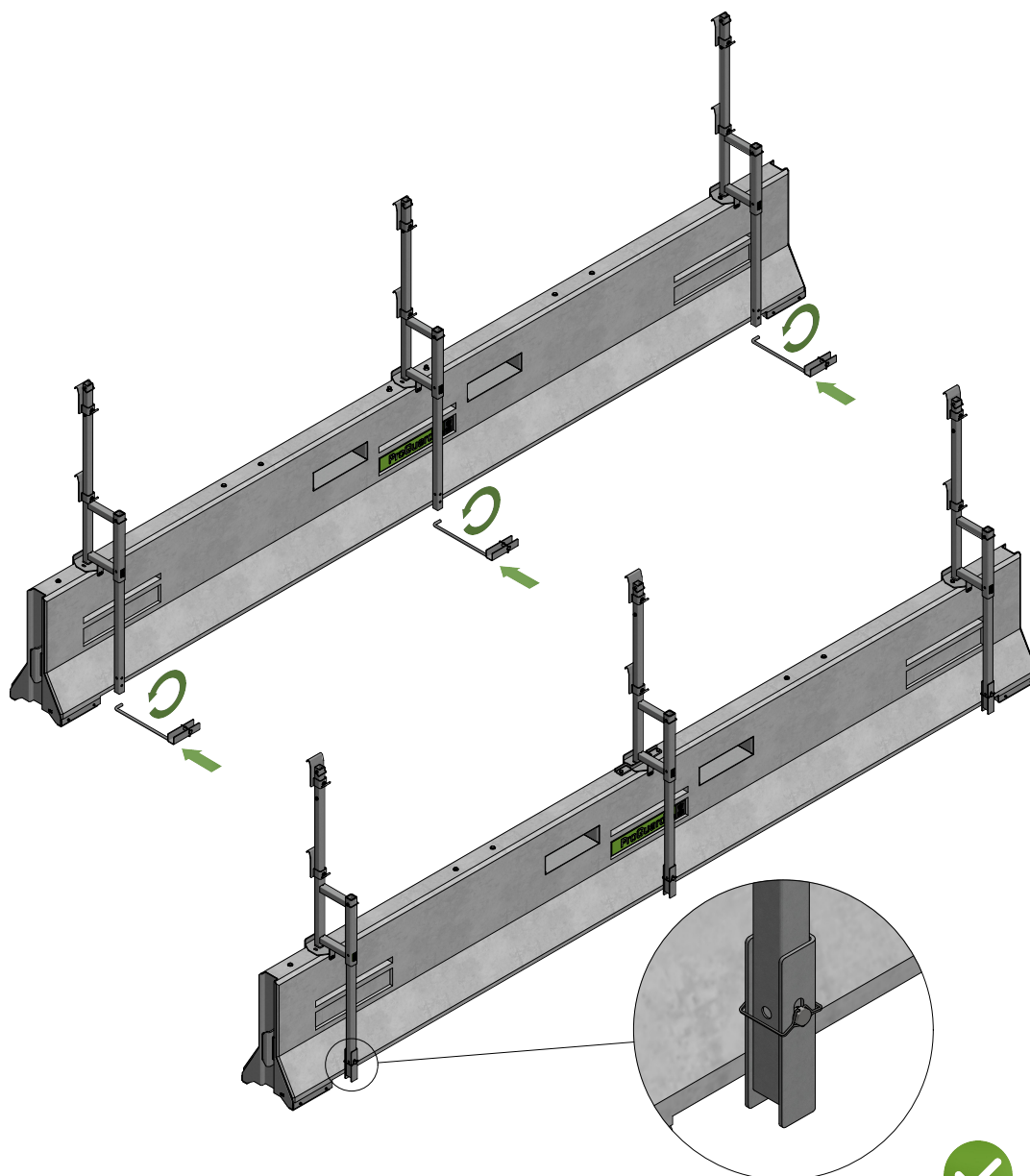


# Installation - Post

2.



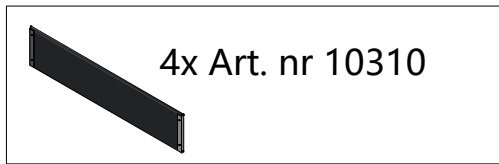
- Slide one NRP Foot (10265) under the barrier for each NRP Post.
- Turn the U-profile up against the post and secure it with the locking pin.



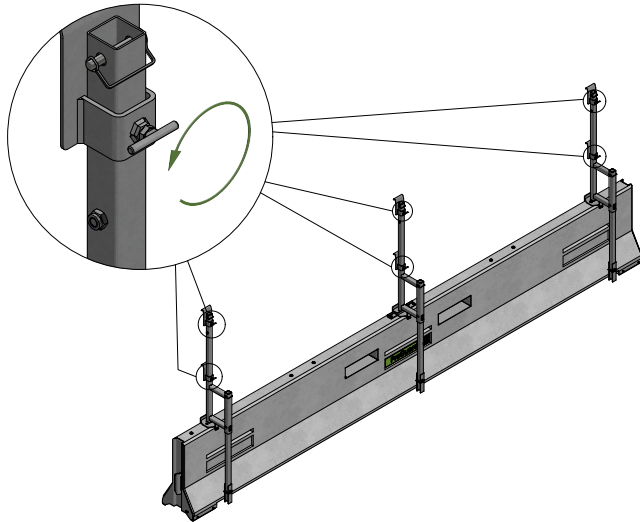
6/13

# Installation - Panels

1.

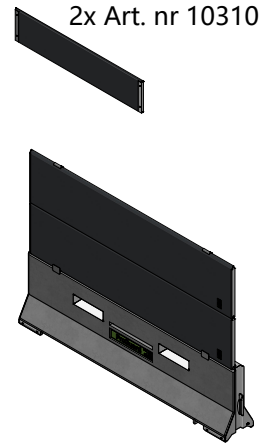


- Loosen all panel holders. They should run freely on the post.

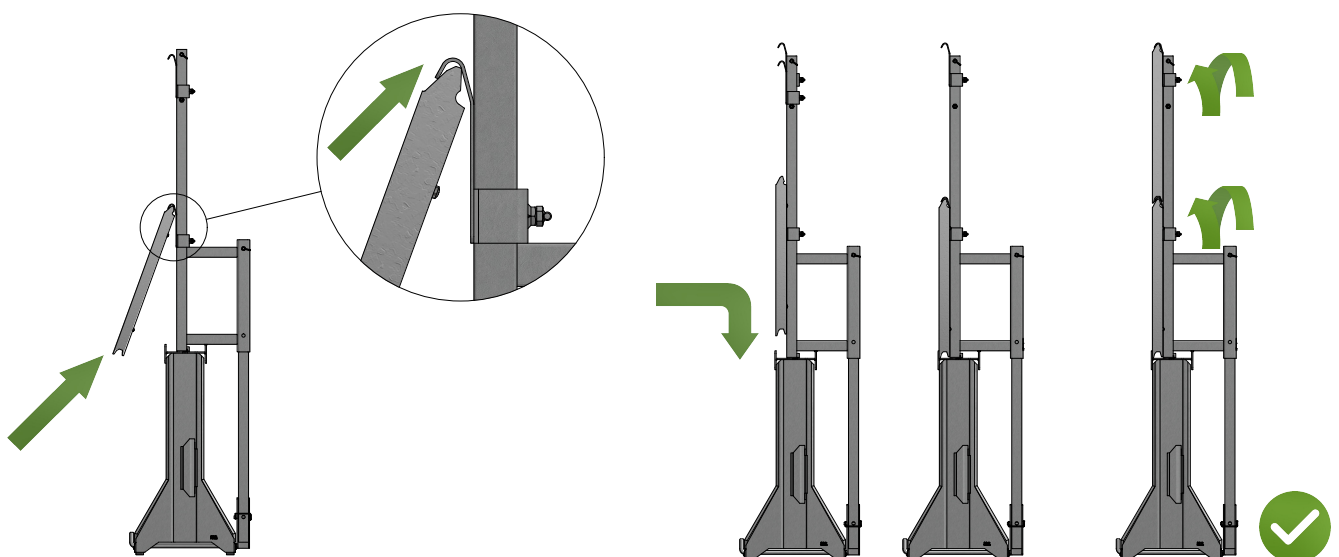


CB803

2x Art. nr 10310

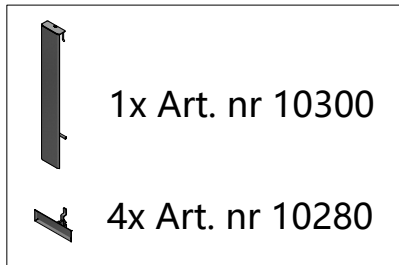


2. - Tilt and push up panel (10310) against the panel holder and up on top of the barrier.  
 - Repeat for next panel row on top.  
 - Tighten all panel holders by hand to secure the panels.

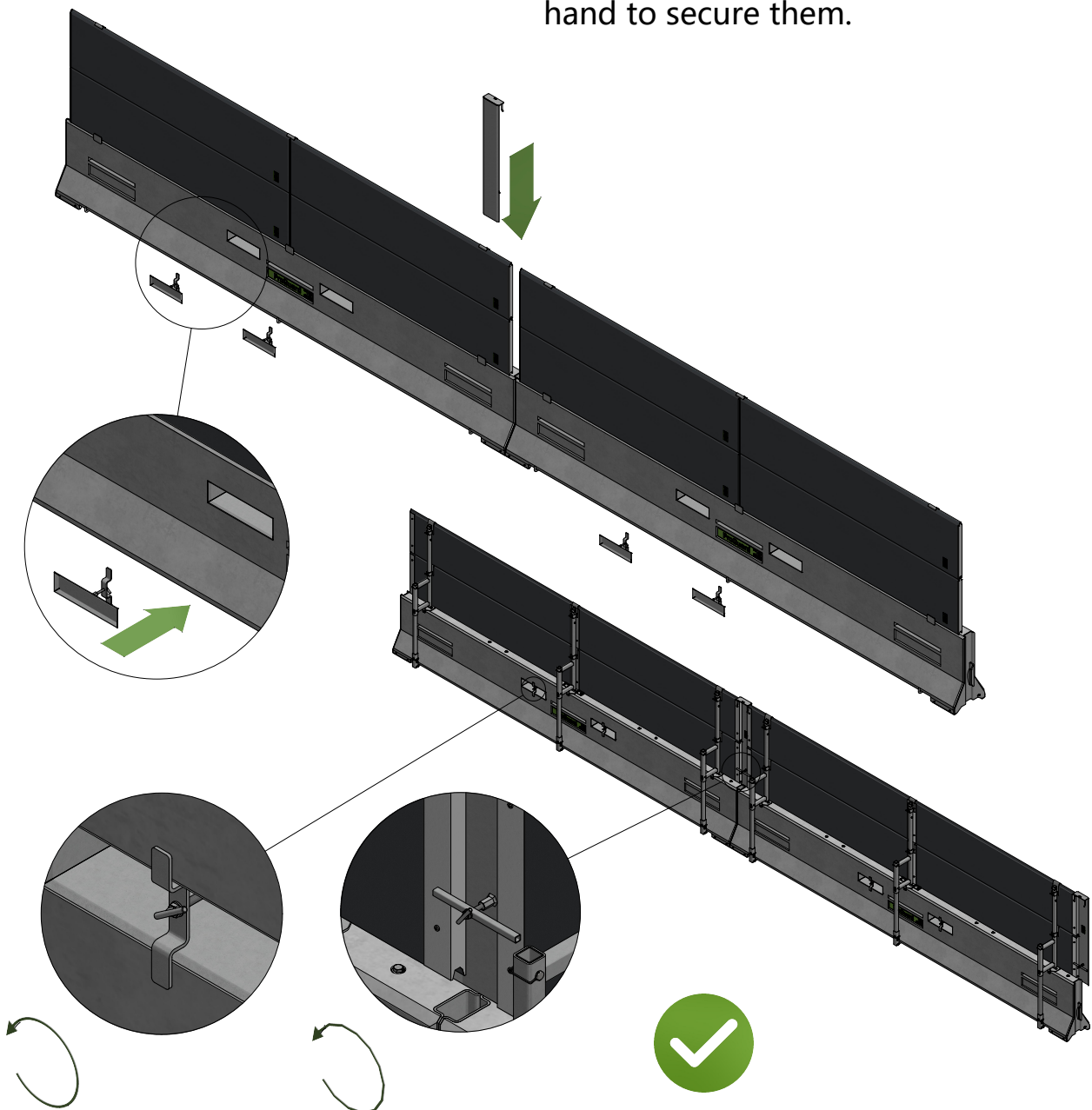


# Installation - Covers

1.



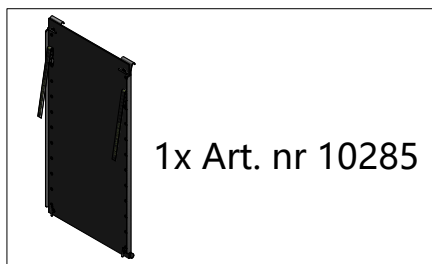
- Add Fork Lift Cover on all barriers. Slide them through the openings and secure it by hand on the backside.
- Add NRP Gap Cover to cover all gaps between barriers/panels. Tighten these by hand to secure them.



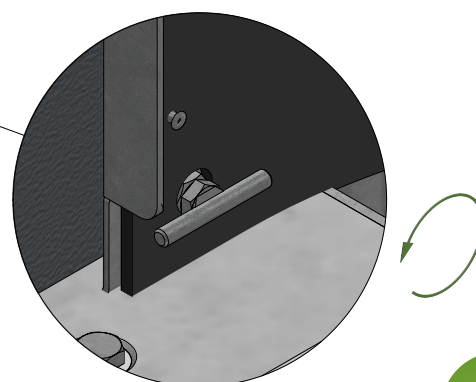
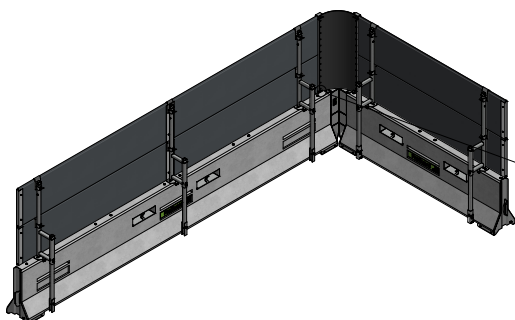
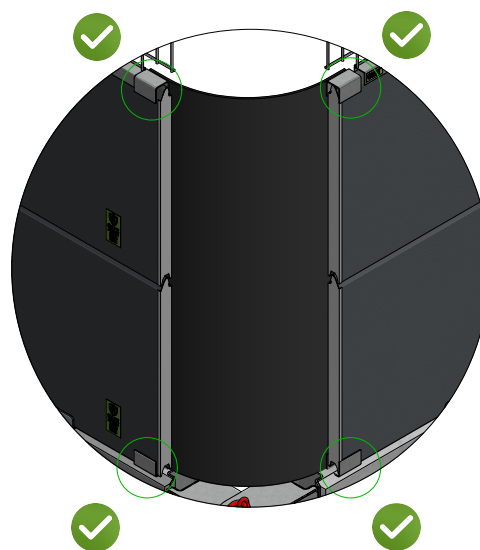
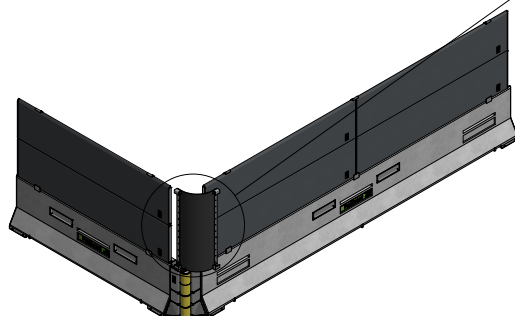
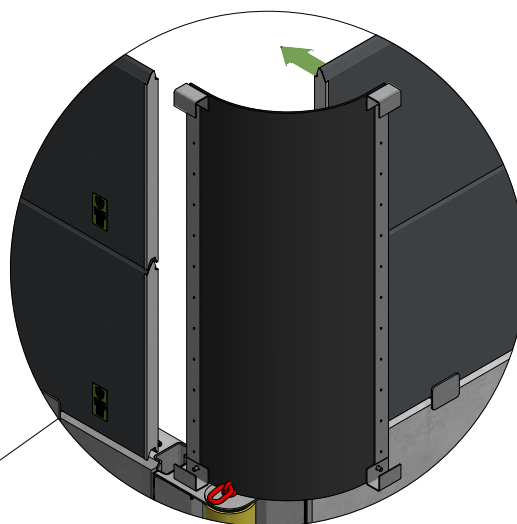
8/13

# Installation - Corner panels

1.



- Add NRP Corner to seamless create a solid enclosure.
- Slide the cover profiles under and over the panels one side at a time.
- Secure by tightening it on the backside.



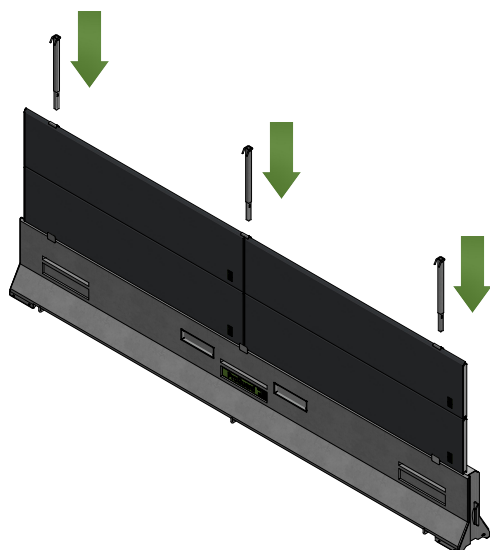
# Installation - Top Up

1.



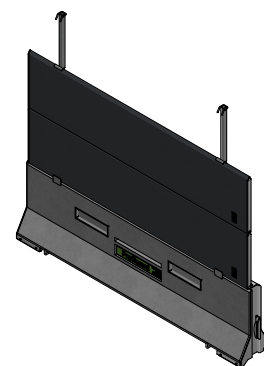
3x Art. nr 10260

- Remove the highest locking pin on NRP Post.
- Insert Top Up Post (10260) on all NRP Posts.
- The Top Up Post should run freely up and down.



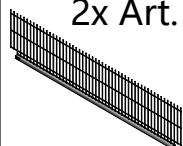
CB803

2x Art. nr 10260

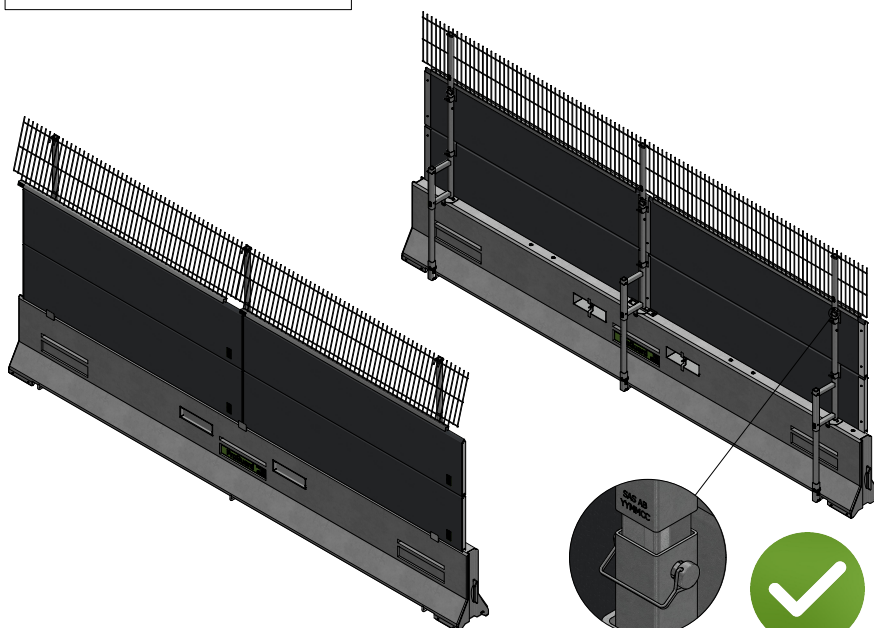


2.

2x Art. nr 10275

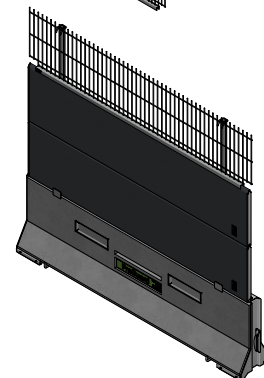
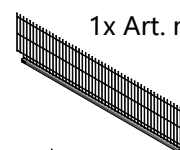


- Tilt and push up NRP Top Up (10275) the same way as when installing NRP Panels.
- Put back the locking pin to secure the Top Up.



CB803

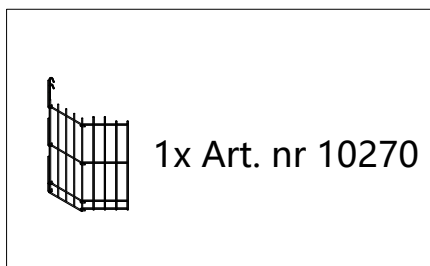
1x Art. nr 10275



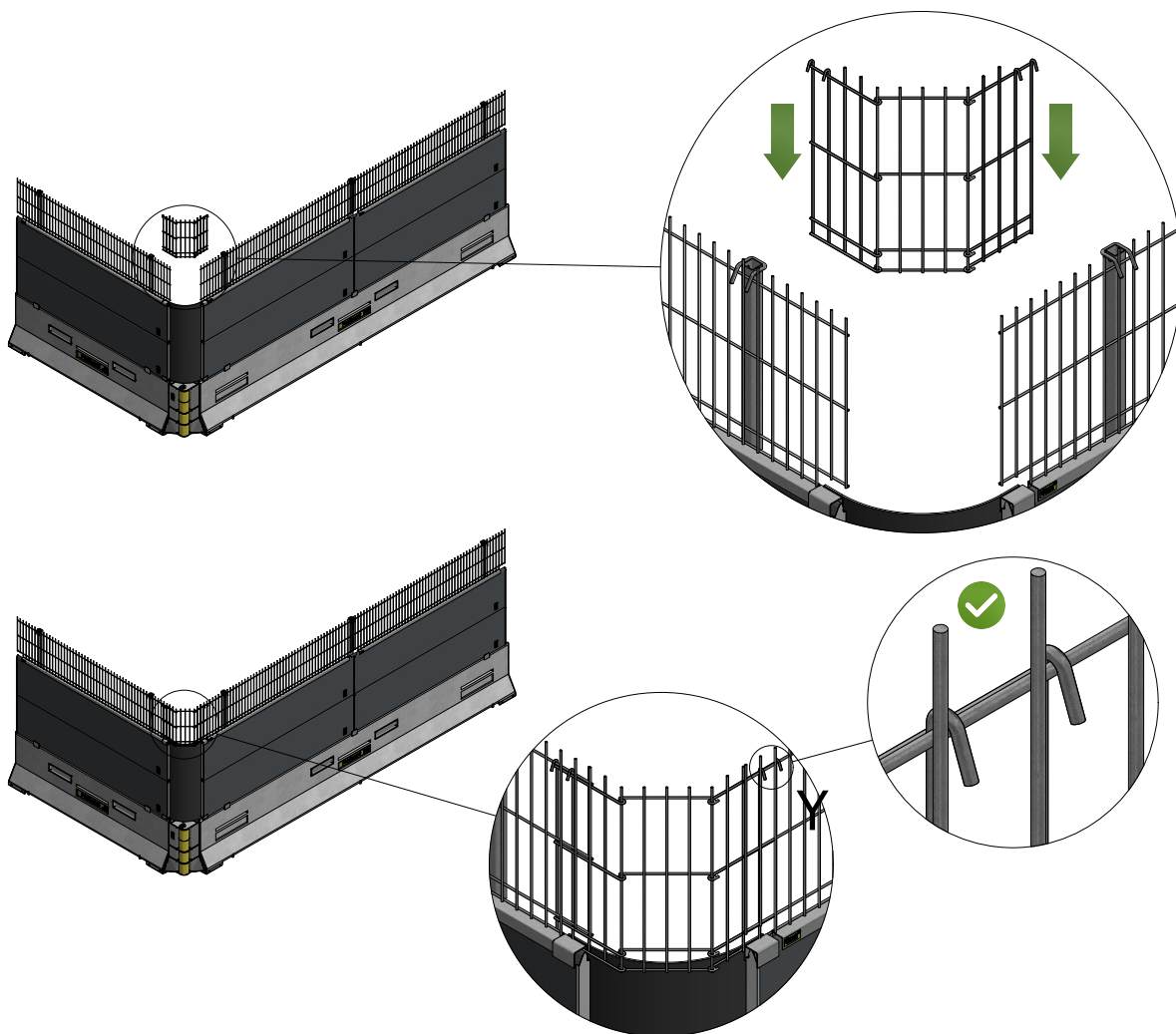
10/13

# Installation - Top Up

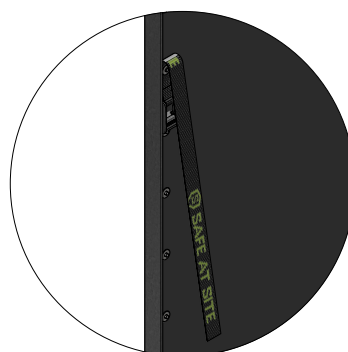
1.



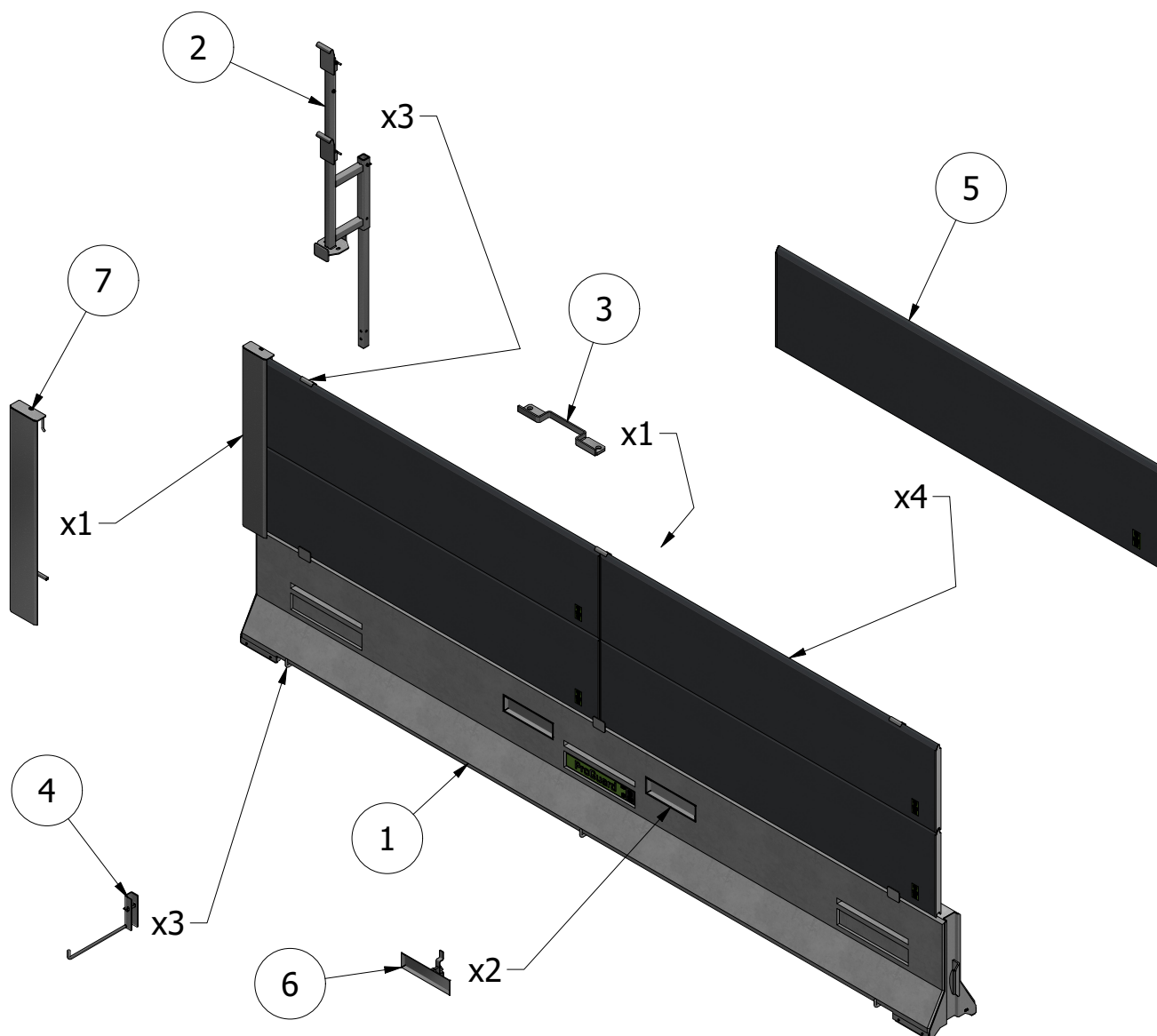
- Hang Top Up Corners hooks over Top Up from the inside of the installation.



2. - Secure Top Up Corner using the straps placed on the back of NRP Corner (10285).



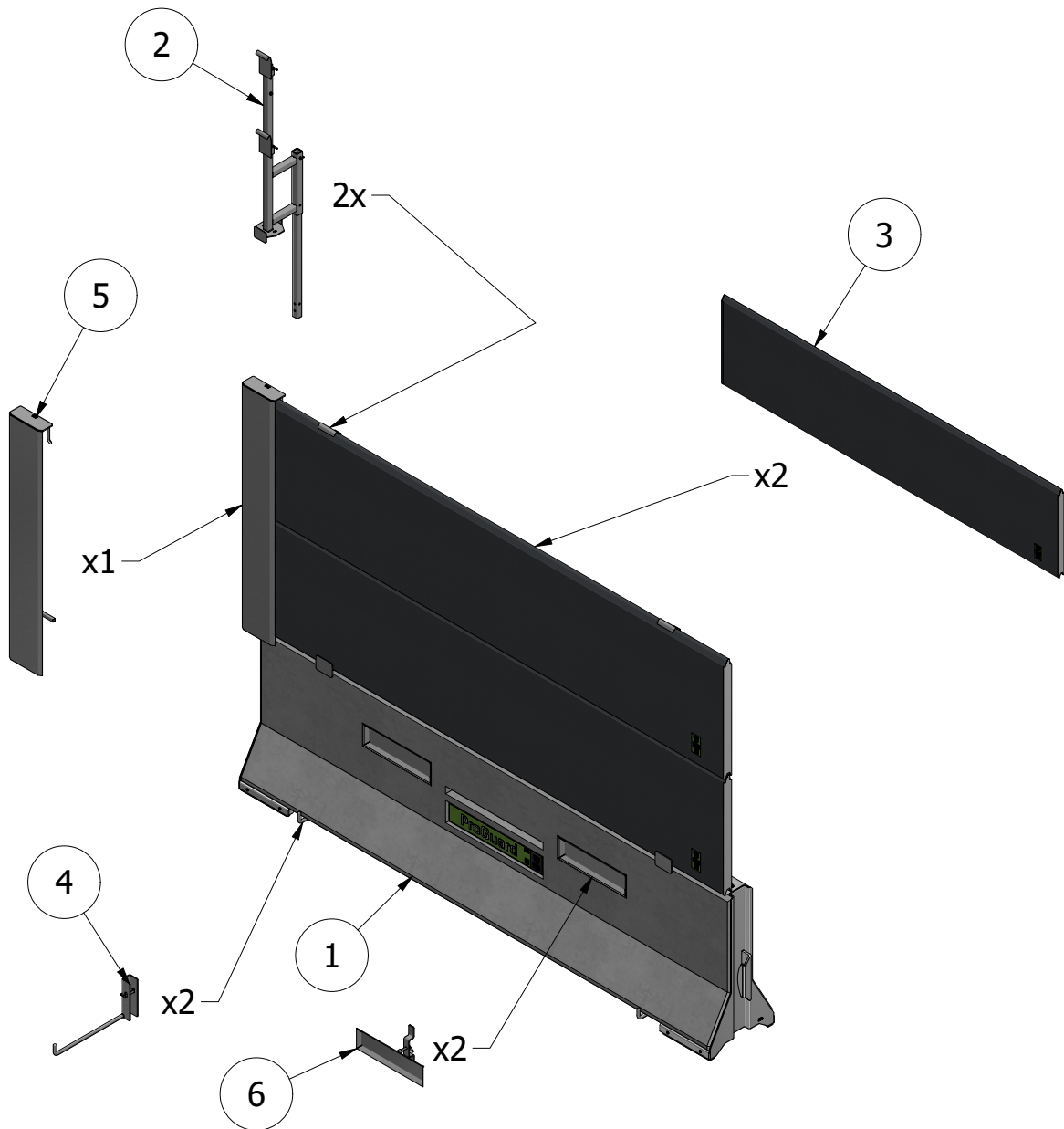
# CB806



## PART LIST

ITEM	QTY	ART. NR	NAME
1	1	10036	ProGuard CB806
2	3	10240	ProGuard NRP Post
3	1	10295	ProGuard NRP Post Fastener
4	3	10265	ProGuard NRP Foot
5	4	10310	ProGuard NRP Panel
6	2	10280	ProGuard Fork Lift Cover
7	1	10300	ProGuard NRP Gap Cover

## CB803



## PART LIST

ITEM	QTY	ART. NR	NAME
1	1	10130	ProGuard CB803
2	2	10240	ProGuard NRP Post
3	2	10310	ProGuard NRP Panel
4	2	10265	ProGuard NRP Foot
5	1	10300	ProGuard NRP Gap Cover
6	2	10280	ProGuard Fork Lift Cover