

ProGuard[®] NRC - *Noise Reduction Curtain*

NRC

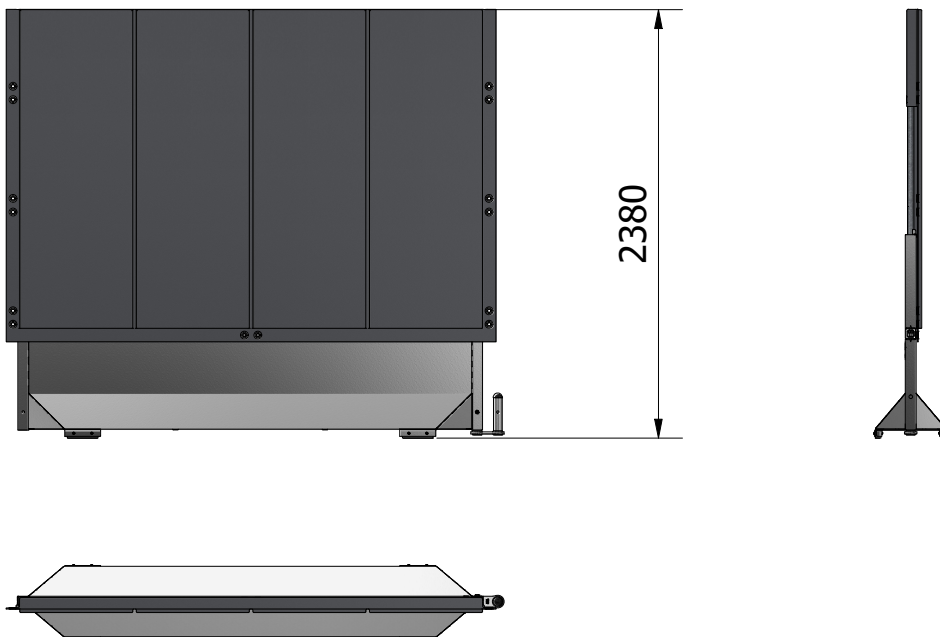
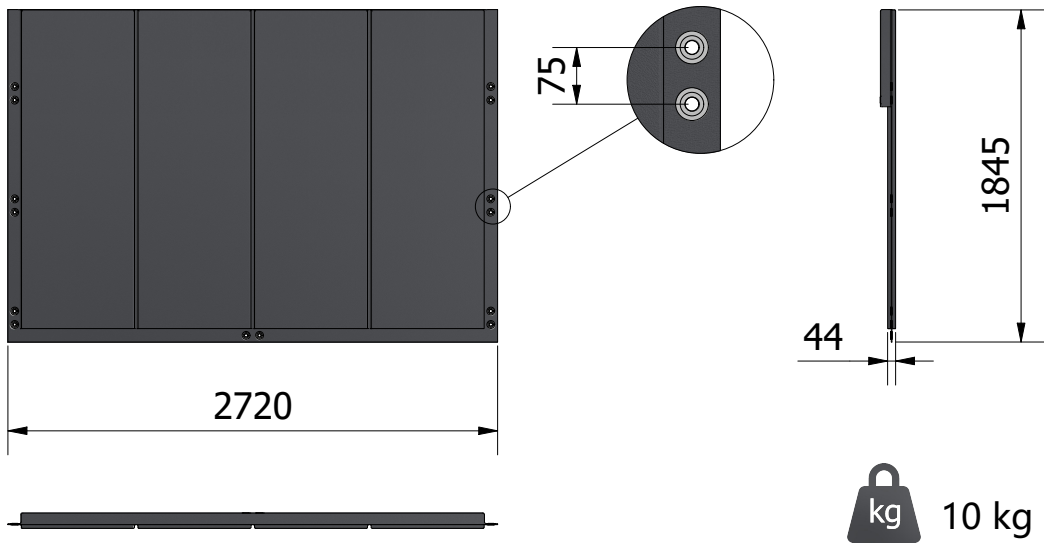
www.safeatsite.com



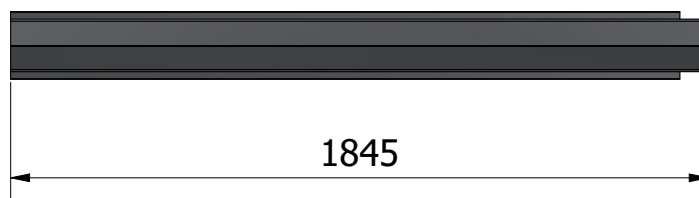
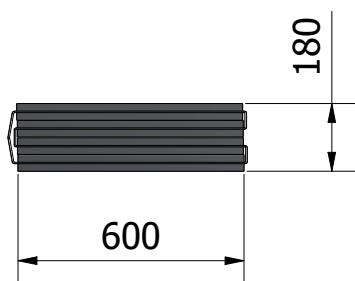
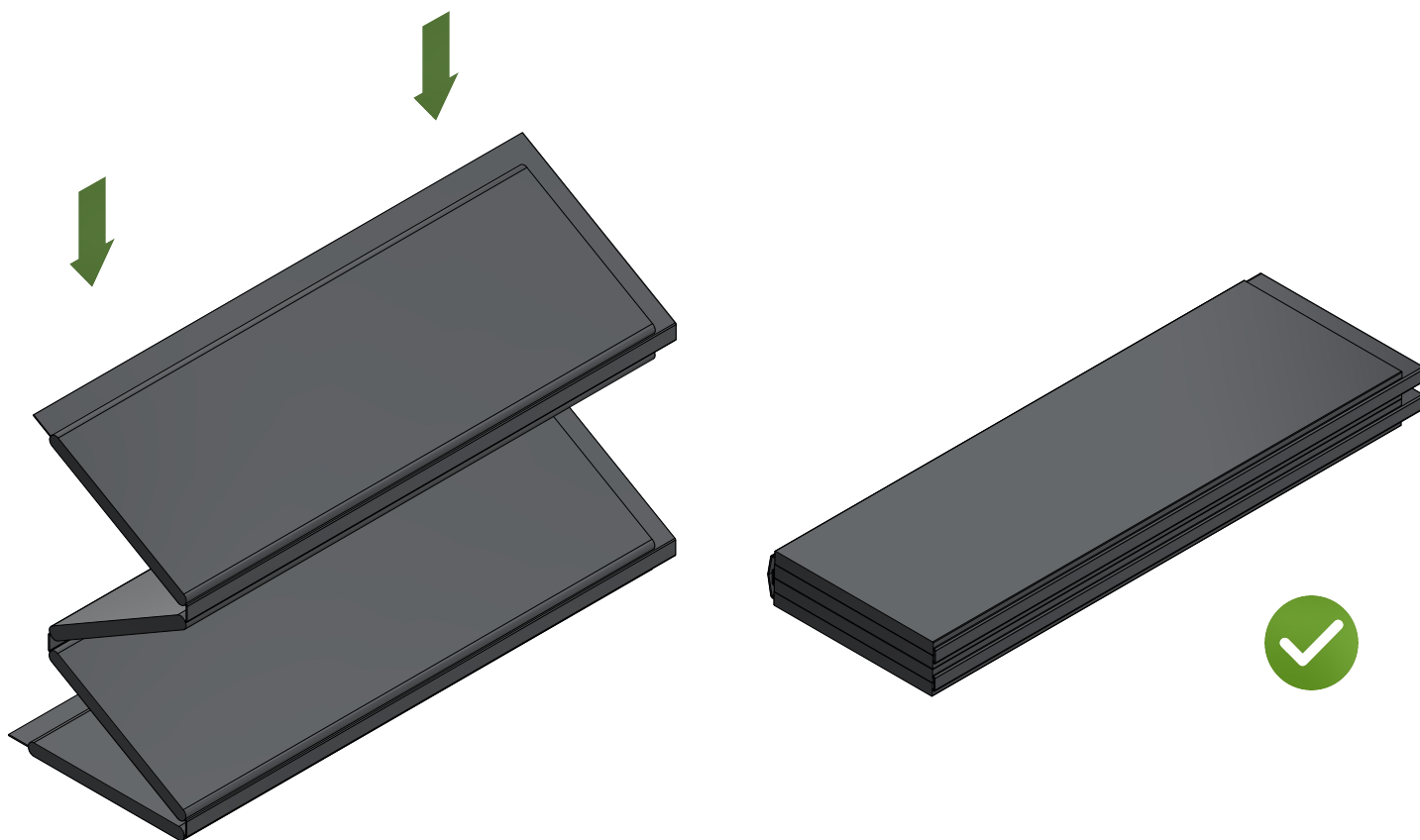
ProGuard NRC

NRC - Noise Reduction Curtain

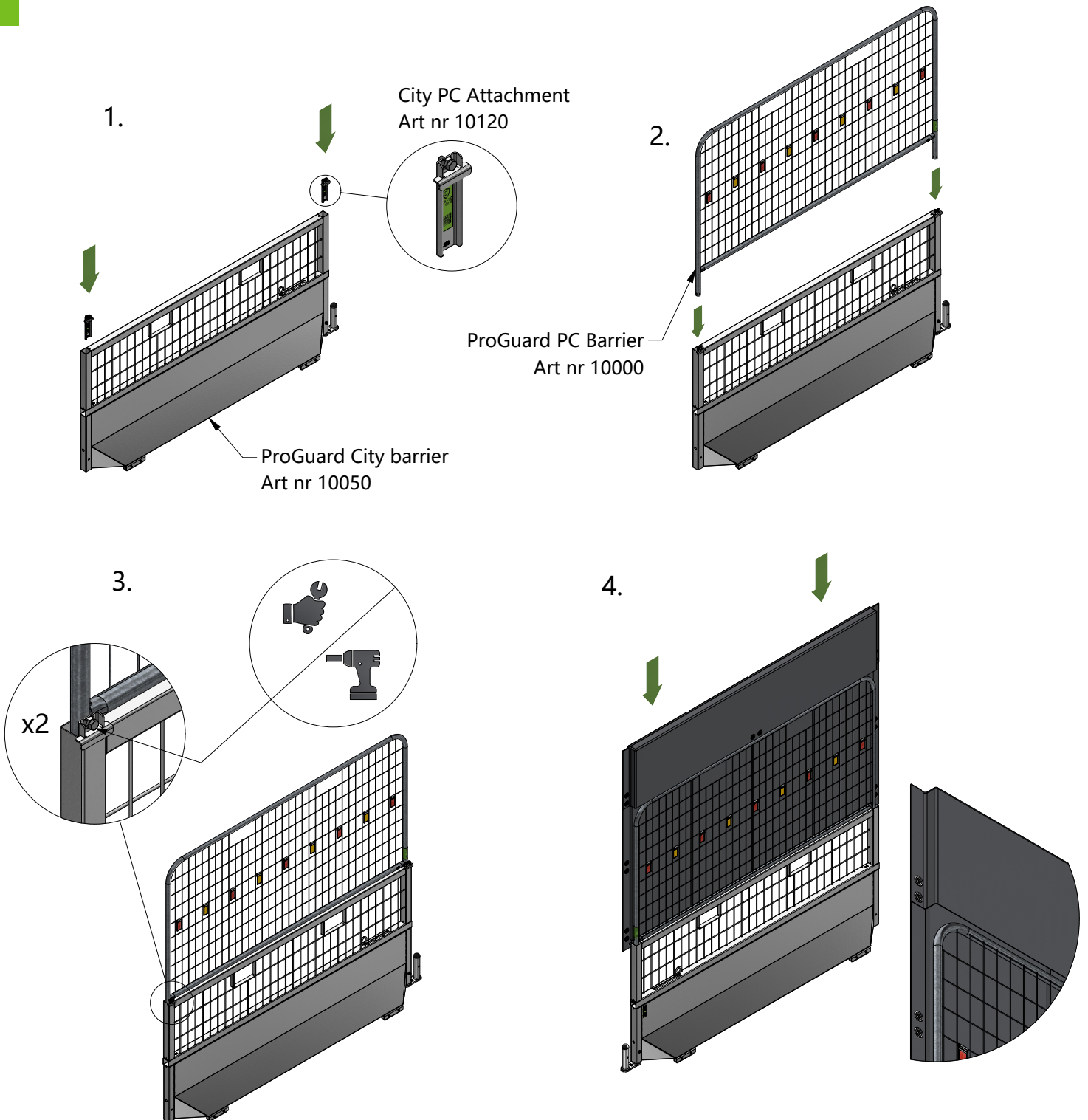
Art. nr 10210



Storage and handling

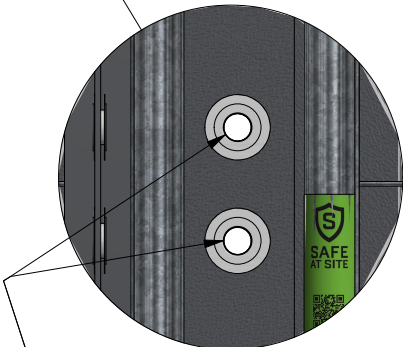
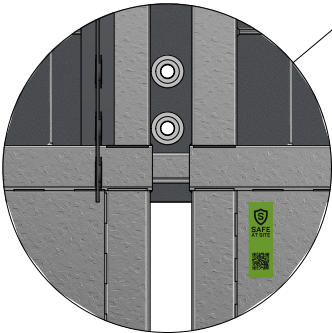
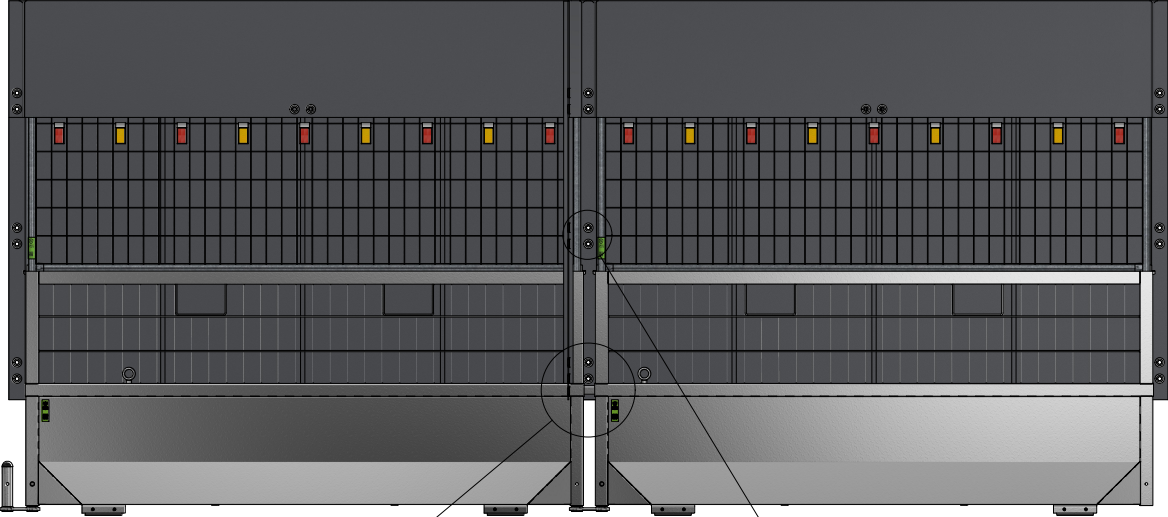


Installation



Installation

Straight sections



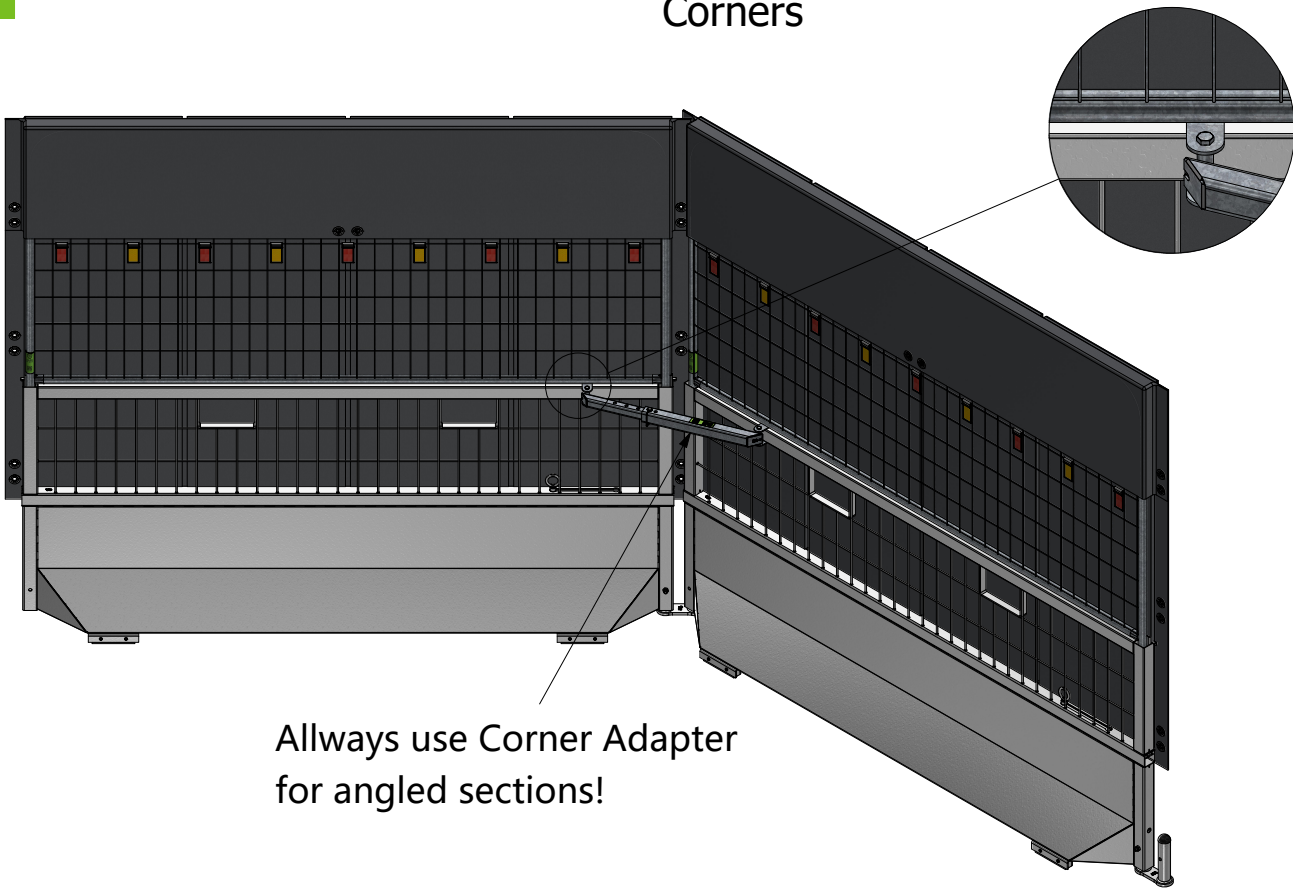
Allways activate Locking Bar with straight sections!

Connect panels using straps through the eyelets

<p>Safe At Site Strap 300mm Art. nr 95004</p>		<p>Alt. cable ties</p>

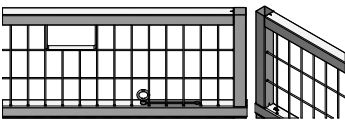
Installation

Corners

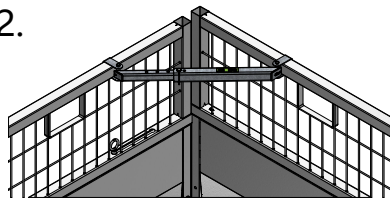


Always use Corner Adapter
for angled sections!

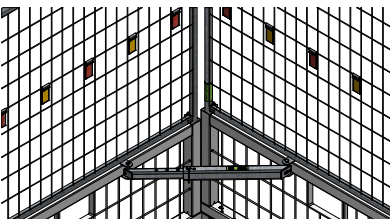
1.



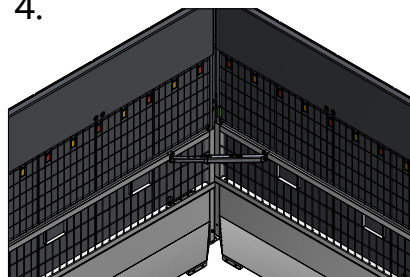
2.



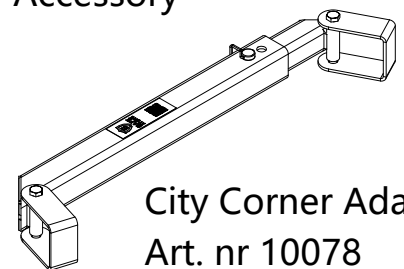
3.



4.



Accessory

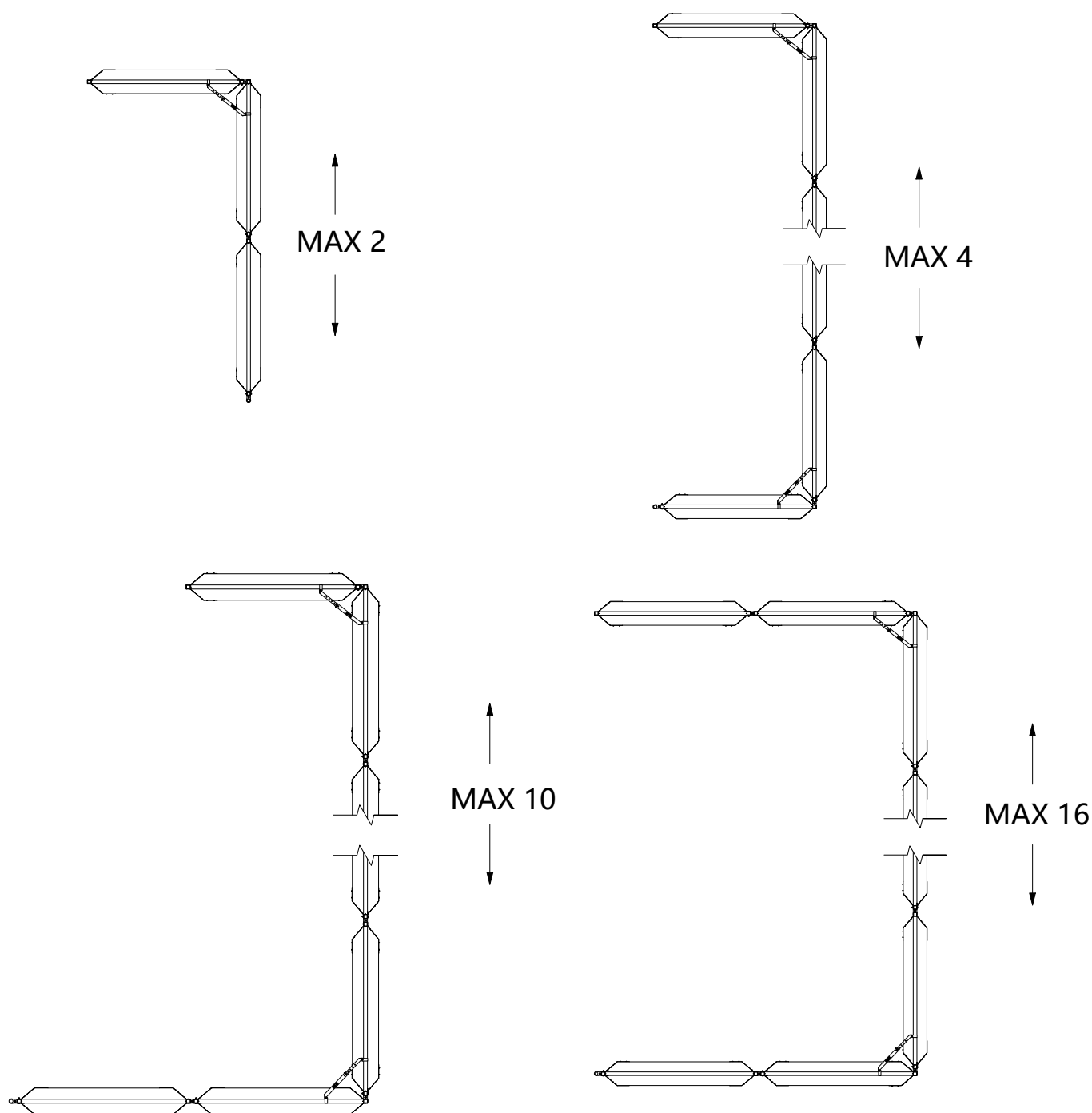


City Corner Adapter
Art. nr 10078

Wind load

When covering the barriers, wind load becomes a factor to consider. To be able to withstand strong winds up to 20 m/s, the system must be supported using the following instructions.

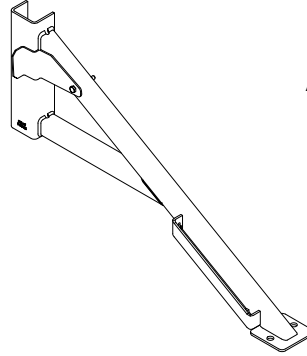
For other configurations, contact Safe At Site AB for guidance.



Accessories

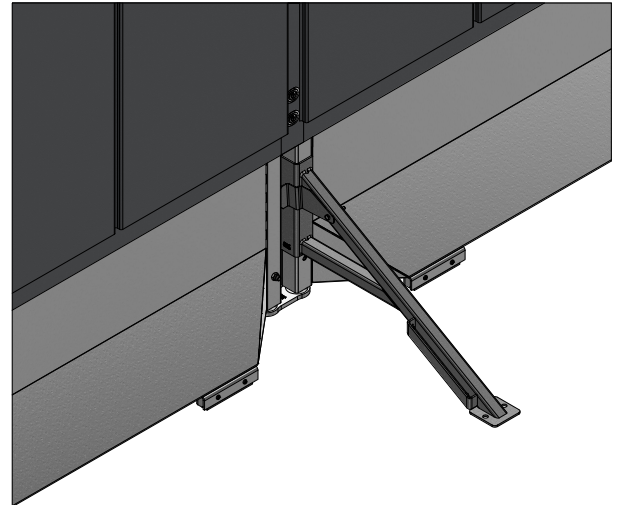
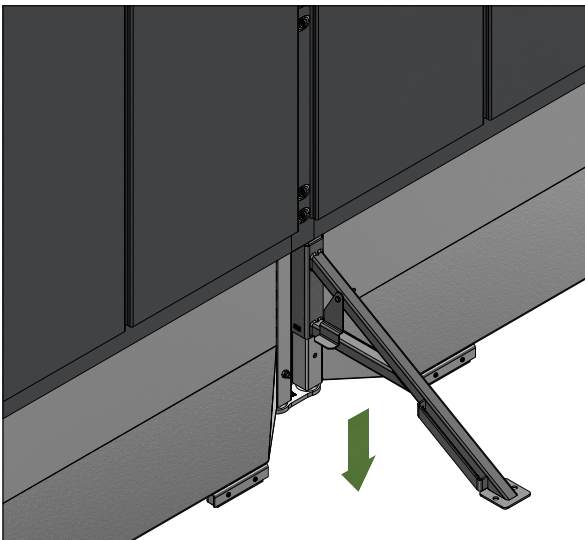
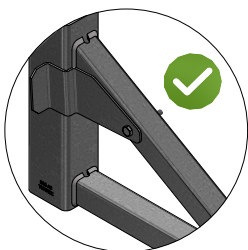
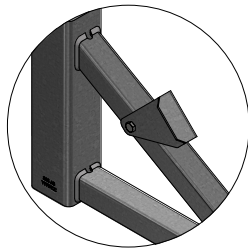
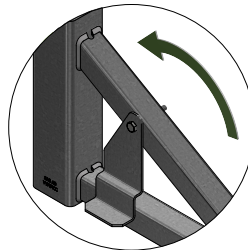
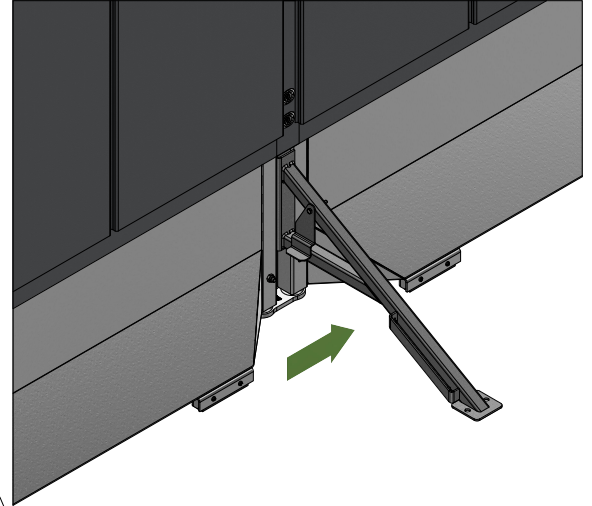
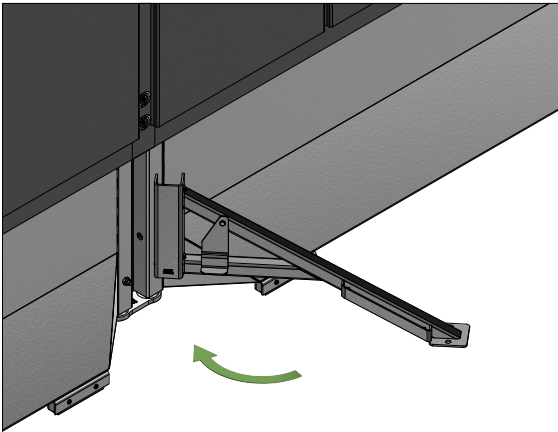
Support

For configurations without corners,
use NRC Support.



NRC Support
Art. nr. 10220

 kg 6,8 kg



Accessories

X3 Attachment

