

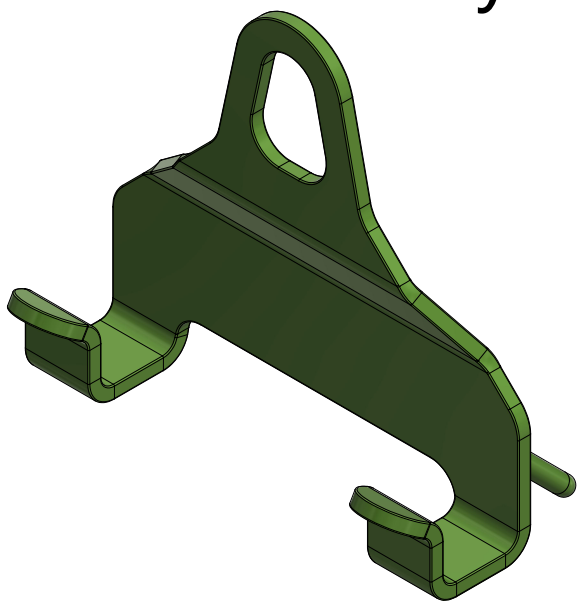
ProGuard[®] City Lifting Hook

www.safeatsite.com



**SAFE
AT SITE**

City Lifting Hook



Art. nr 10200

MAX lifting capacity: 500kg

Steel (S355JR)

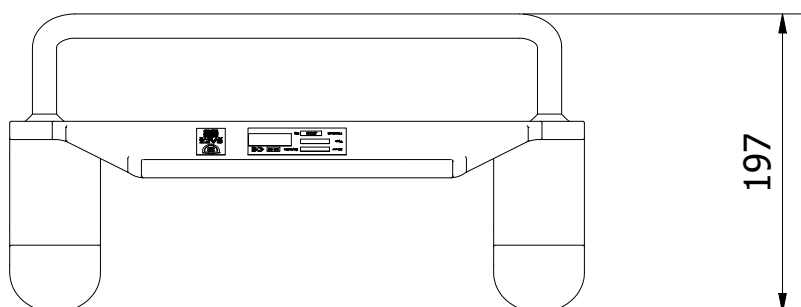
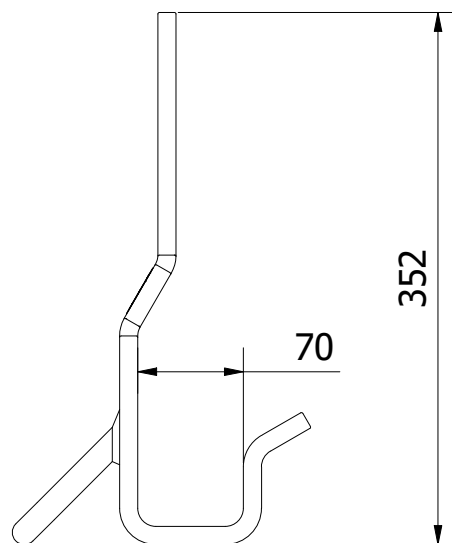
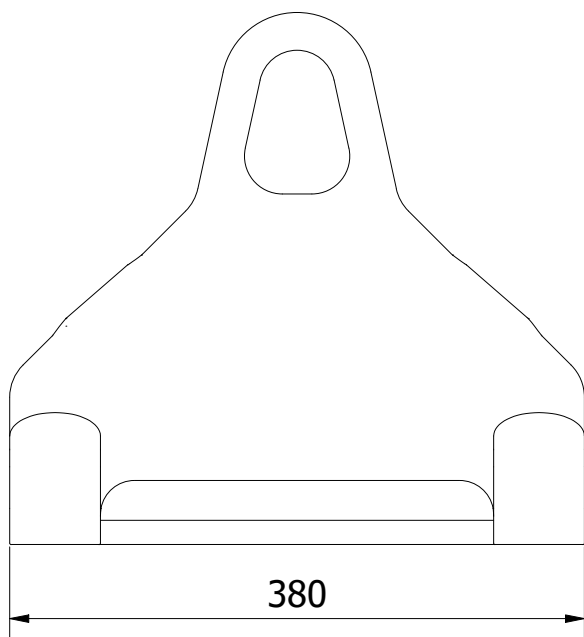
Length: 380 mm

Width: 197 mm

Height: 352 mm



8,6 kg



2/5

General

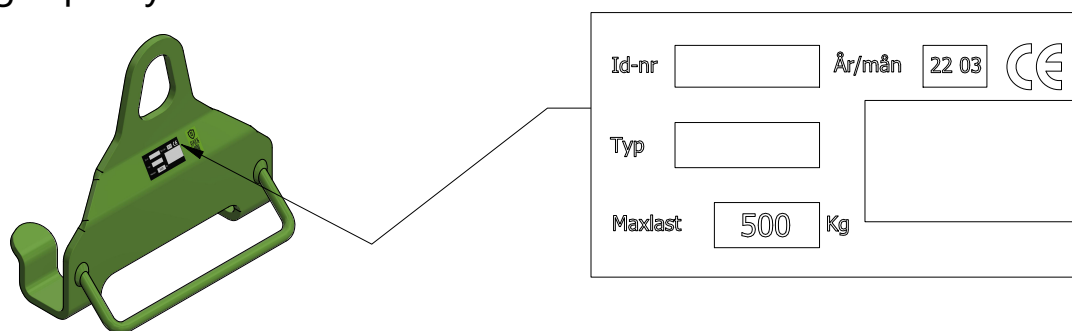
Before use

Read entire manual before use and contact the manufacturer if any questions. Check that the product is free from cracks, corrosion or other damages before use.

Marking

City Lifting Hook is CE stamped according to 2006/42/EG.

On the back there is a sign showing CE marking, ID/serial number and maximum lifting capacity.



Intended use

City Lifting Hook is intended to lift ProGuard City Barrier connected to the top horizontal guard rail measuring 60x60 mm. Maximum lifting capacity is 500 kg and only one barrier is allowed to be lifted at a time.

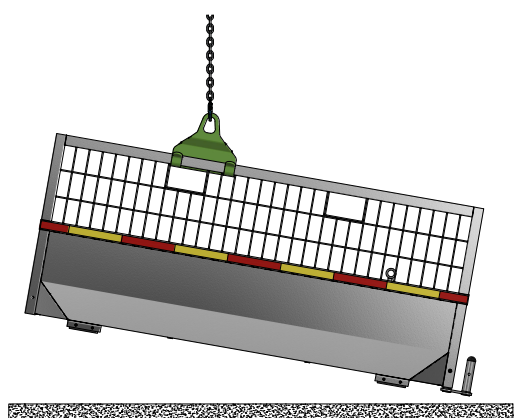
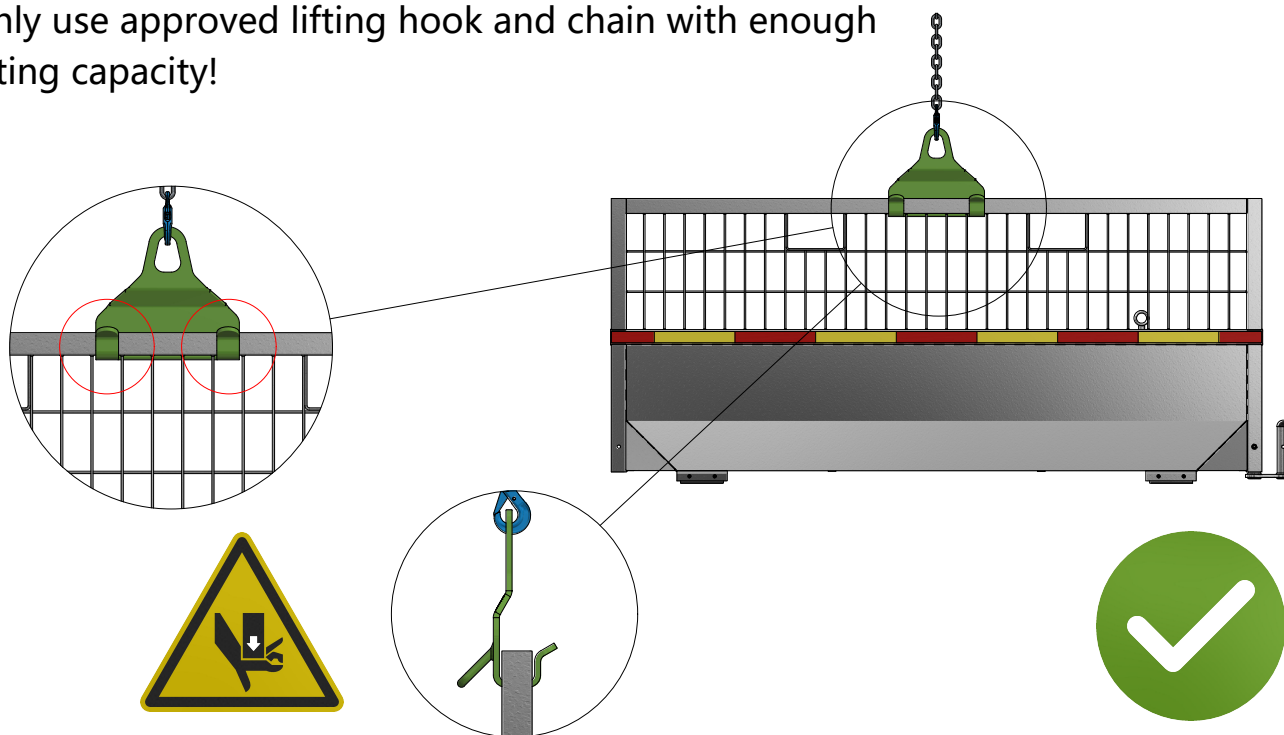
Limitations

- Lifting Hook can only be used to lift City Barriers
- Maximum lifting capacity 500 kg must not be exceeded
- Lifting Hook must be placed centered over the horizontal guard rail when lifting

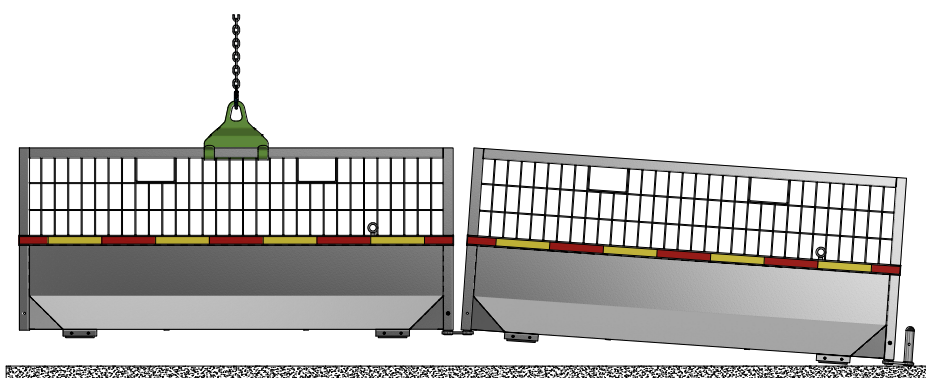


Intallation and usage

Only use approved lifting hook and chain with enough lifting capacity!



Always lift in the middle!



MAX 500 kg



Only one barrier at a time must be lifted!

Maintenance

City Lifting Hook must be checked annually using the protocol below.

MAINTENANCE PROTOCOL		
Created by: SAFE AT SITE AB	Product: City Lifting Hook	Interval: Annually
Customer name:	Date:	ID/Serial number (<i>see backside of lifting hook</i>)
Checkpoints	Result/Comments	
Cracks		
Deformations		
Corossion/Rust		
Sign backside		
Other markups:		
General condition:		
Next check latest (YYMM)	Checked by:	

If damages or flaws has been noticed, the lifting hook must not be used!
Contact the manufacturer for consultation regarding reparations or disposal of the product.